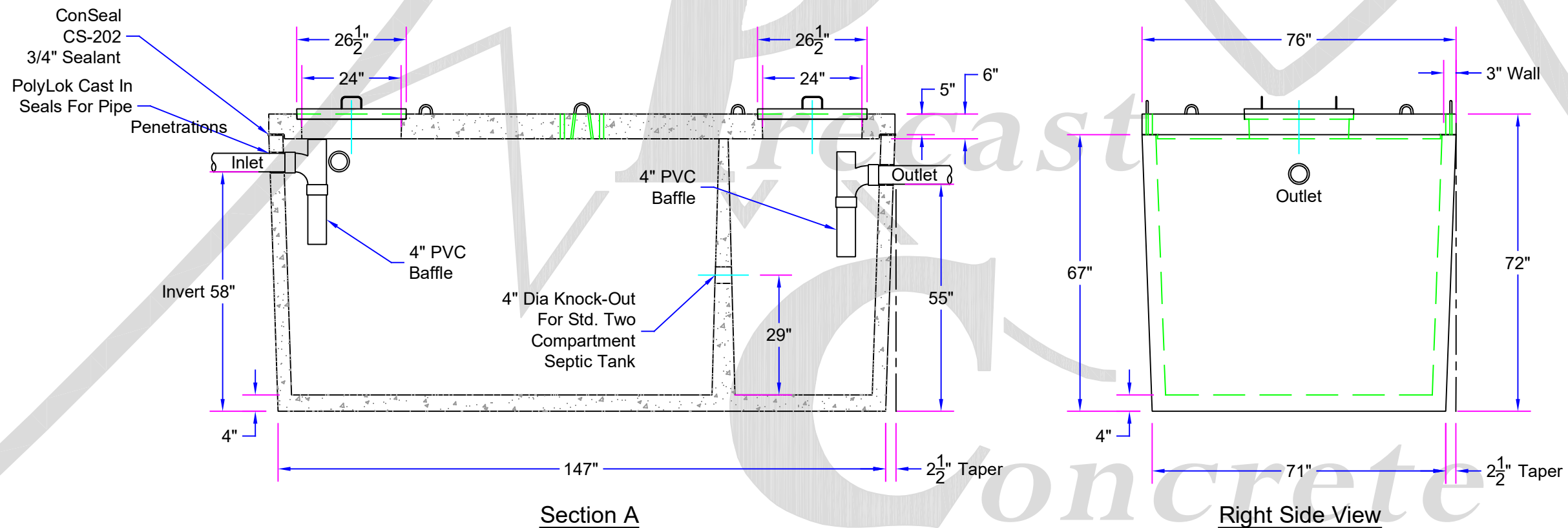


Top View

Notes:

1. Drawing Shown With Concrete Lids, Concrete Risers and PVC Lids and Risers Available.
2. Reinforcement Drawings Available Upon Request.
3. Tank Designs Meet ASTM C1227, C890 & Montana DEQ Circular 4 With 6 Feet Of Bury.
4. Traffic Rated Tank Lids Available.
5. Minimum 4000 PSI Concrete



Section A

Right Side View

Approx. Weight With Standard Lid = **17,800 Lbs.**  
 Approx. Weight With Traffic Rated Lid = **21,680 Lbs.**

Glacier  
Precast  
Concrete, Inc.



175 Alder Lane  
Kalispell, MT. 59901  
(406) 752-7163  
www.glacierprecast.com  
Or Visit Us On Facebook

AMENDMENTS:			
REV.	DESCRIPTION:	BY:	DATE:

SITE:  
**Glacier Precast Concrete**

TITLE:  
**2000 Gallon Septic Tank**

<b>GPC0001</b>		<b>10/28/2016</b>	
DRAWING NO.	PROJECT NO.	DATE	
<b>1:30</b>	<b>JRC</b>		
SCALE AT A4.	DRAWN.	CHECKED.	REVISION.