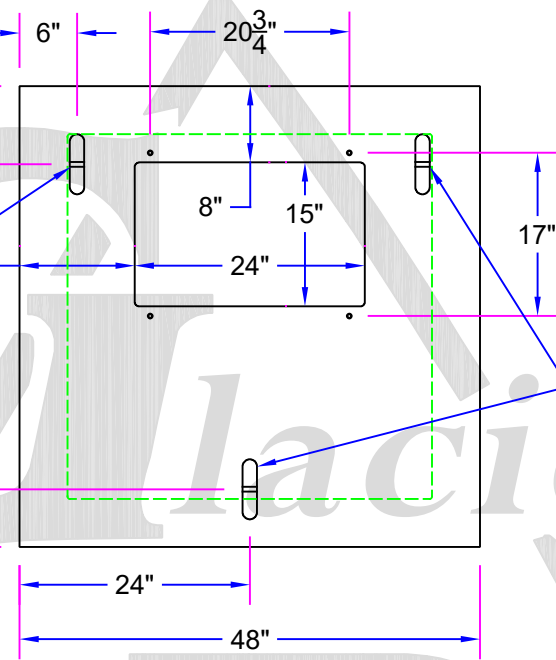
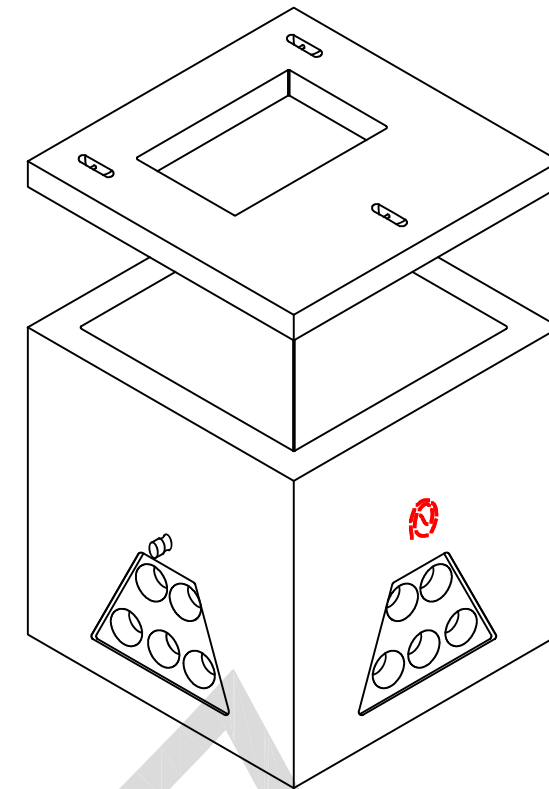


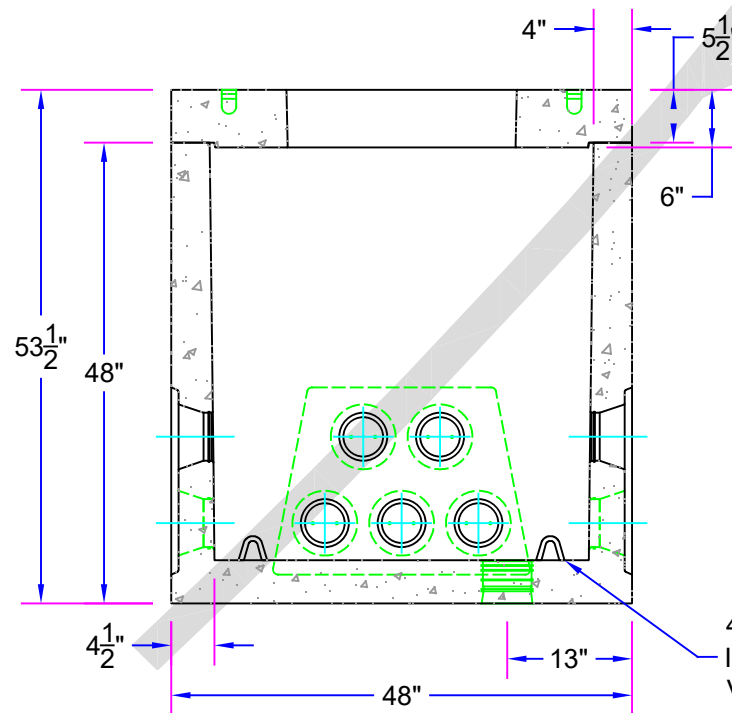
**Top View**  
Scale: 1:20



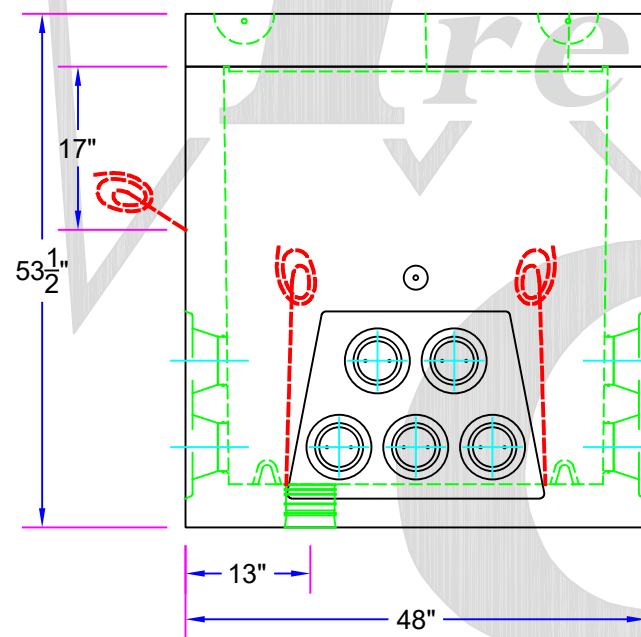
**Lid Detail**  
Scale: 1:20



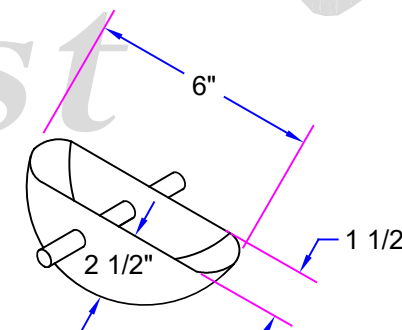
**Assembly Detail**  
Scale 1:30



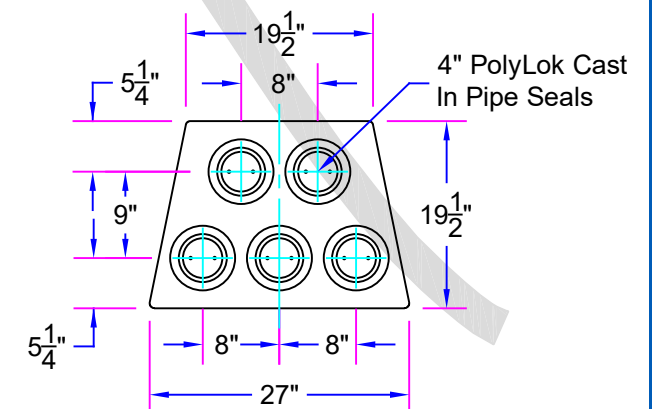
**Section A Detail**  
Scale: 1:20



**Right Side View**  
Scale: 1:20



**Lid Lifting Eye Detail**  
Scale 1:5



**Duct Casting Detail**  
Scale: 1:20

Note:  
1. Two - 35' #2-7 Strand SD Copper Wires Wrapped In Opposite Directions. One Complete Circle In The Bottom, Then Half Circle Next Level & Sloped Up To 6" Of The Vault Top. Leave Two 8" Tails Inside The Vault On Opposite Side And 2' Tail Outside On Back Of Vault, See Drawing.  
2. Open Bottom Available Upon Request

Approx. Weight Lid = 950 Lbs  
Approx. Weight Vault = 3,150 Lbs  
Approx. Weight Vault With Lid = 4,100 Lbs

Glacier  
Precast  
Concrete, Inc.



175 Alder Lane  
Kalispell, MT. 59901  
(406) 752-7163  
www.glacierprecast.com  
Or Visit Us On Facebook

AMENDMENTS:			
REV:	DESCRIPTION:	BY:	DATE:

SITE:	Glacier Precast Concrete
TITLE:	Single Phase Electrical Vault

DRAWING NO.	PROJECT NO.	DATE.
1:20	JRC	11/02/16
SCALE AT A4.	CHECKED.	REVISION.