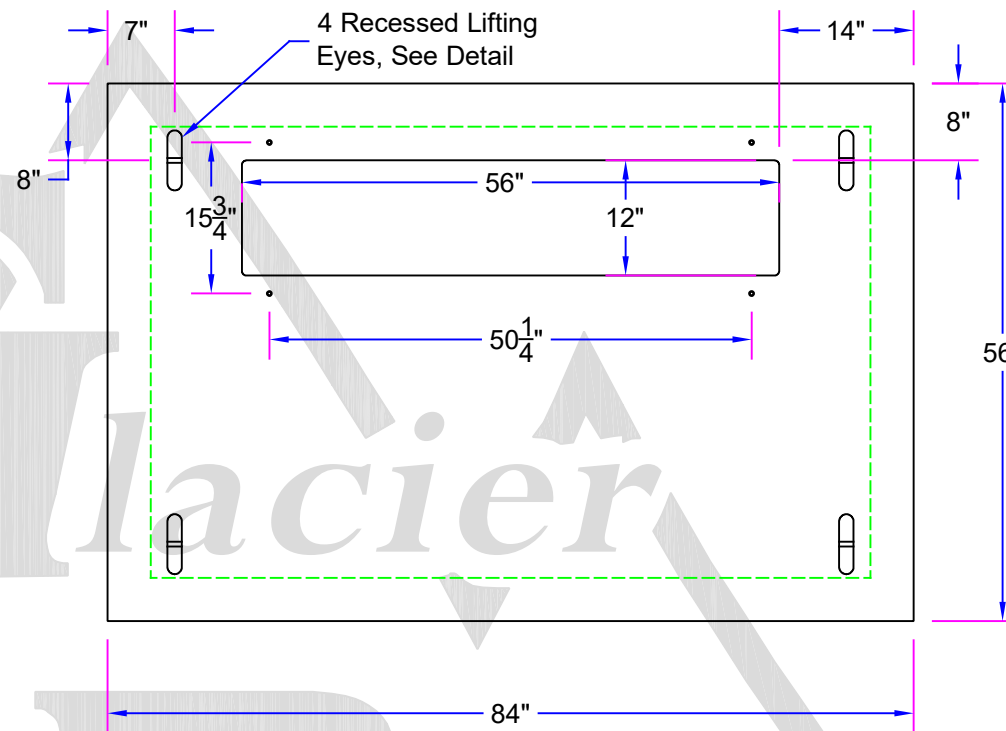
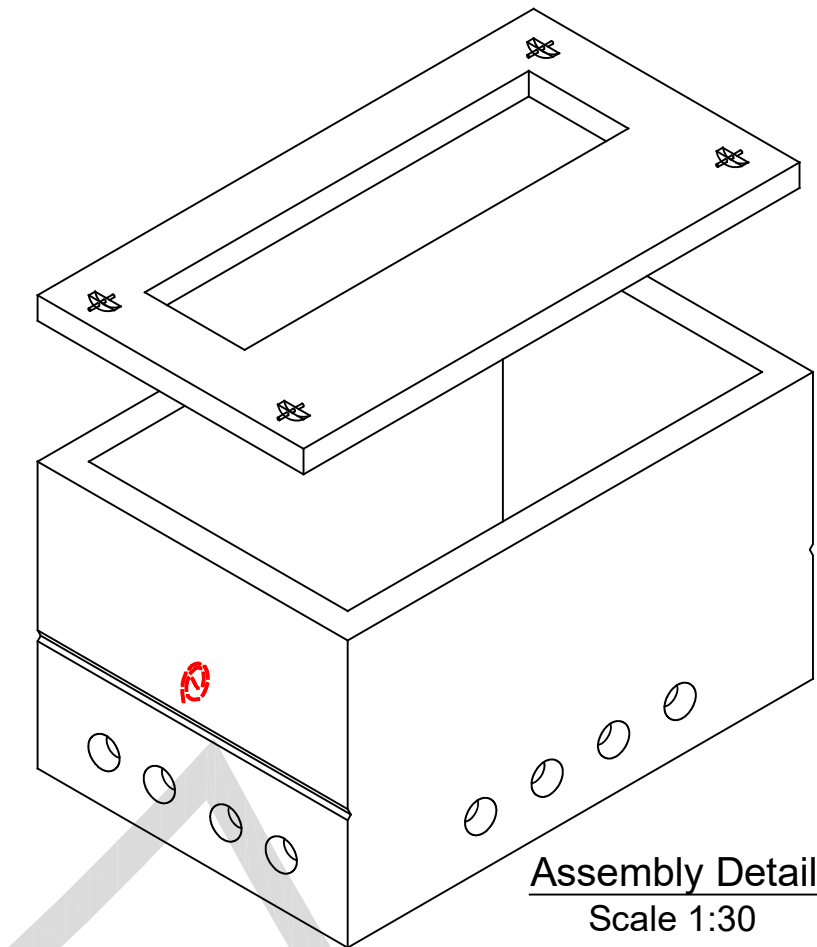


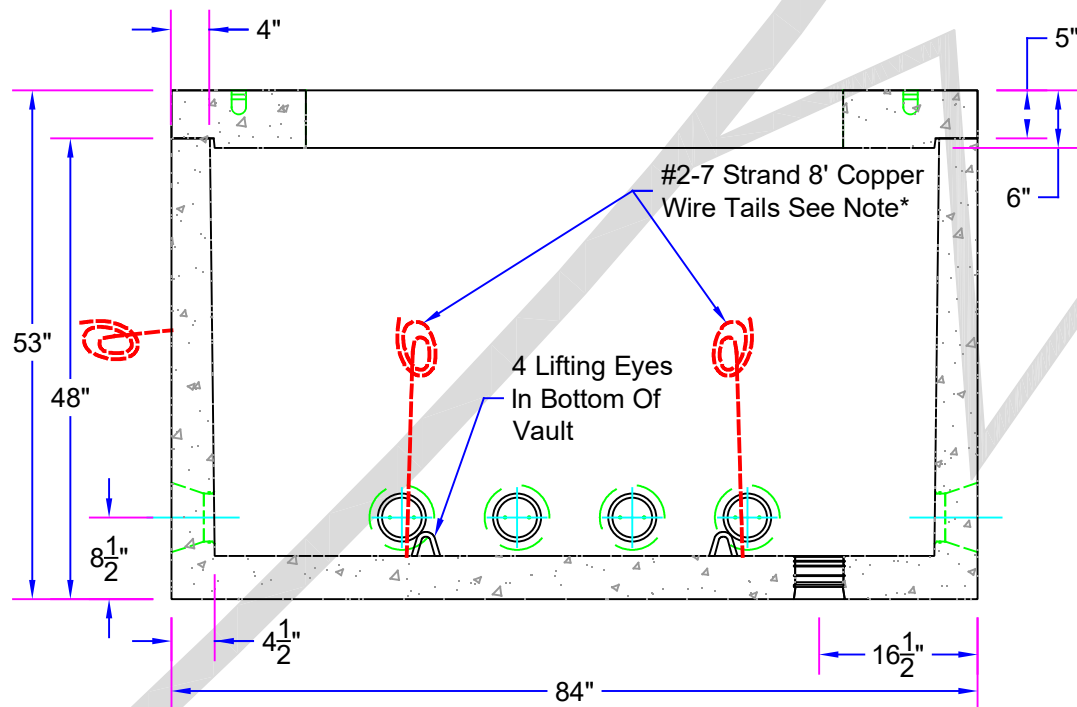
Top View
Scale: 1:20



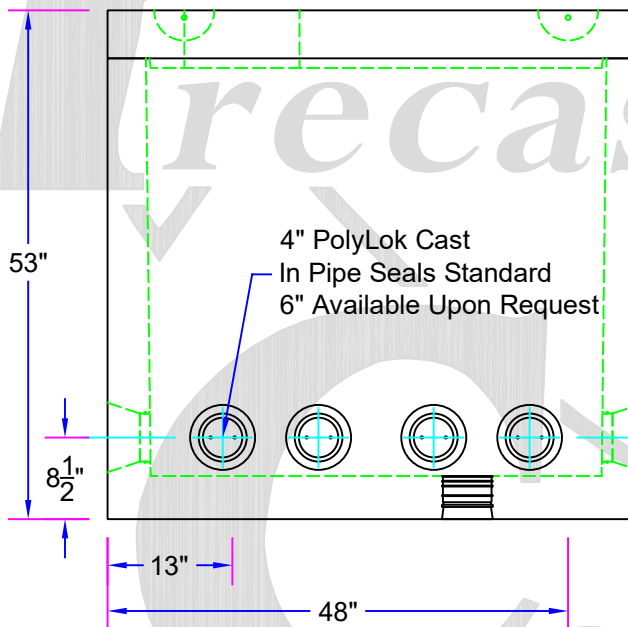
Lid Detail
Scale: 1:20



Assembly Detail
Scale 1:30

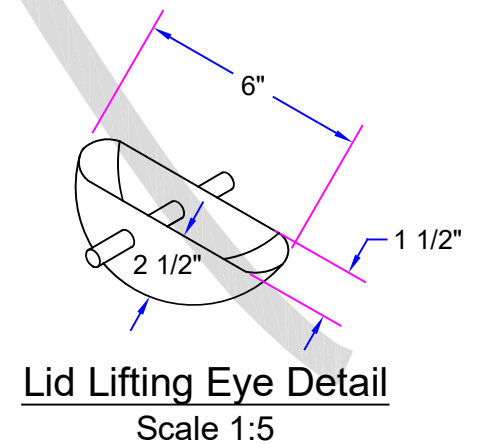


Section A Detail
Scale: 1:20



Right Side View
Scale: 1:20

- Note:
1. Two - 45' #2-7 Strand SD Copper Wires Wrapped In Opposite Directions. One Complete Circle In The Bottom, Then Half Circle Next Level & Sloped Up To 6" Of The Vault Top. Leave Two 8' Tails Inside The Vault On Opposite Side And A 2' Tail Outside Of Vault, See Drawing.
 2. Standard Vault Lid Shown. Solid and Custom Lid Sizes, Bolt Pattern & Opening Sizes Available To Match Specific Electrical Equipment.
 3. Standard Duct Entrance Size is 4", But 6" Entrances Available Upon Request.



Lid Lifting Eye Detail
Scale 1:5

Approx. Weight Standard Lid = **1,740 Lbs**
 Approx. Weight Vault = **5,500 Lbs**
 Approx. Weight Vault With Lid = **7,240 Lbs**

Glacier
Precast
Concrete, Inc.



175 Alder Lane
Kalispell, MT. 59901
(406) 752-7163
www.glacierprecast.com
Or Visit Us On Facebook

AMENDMENTS:			
REV:	DESCRIPTION:	BY:	DATE:

SITE:	Glacier Precast Concrete
TITLE:	Three Phase Electrical Vault

GPC0002		11/07/16	
DRAWING NO.	PROJECT NO.	DATE	
1:20	JRC		
SCALE AT A4.	DRAWN.	CHECKED.	REVISION.