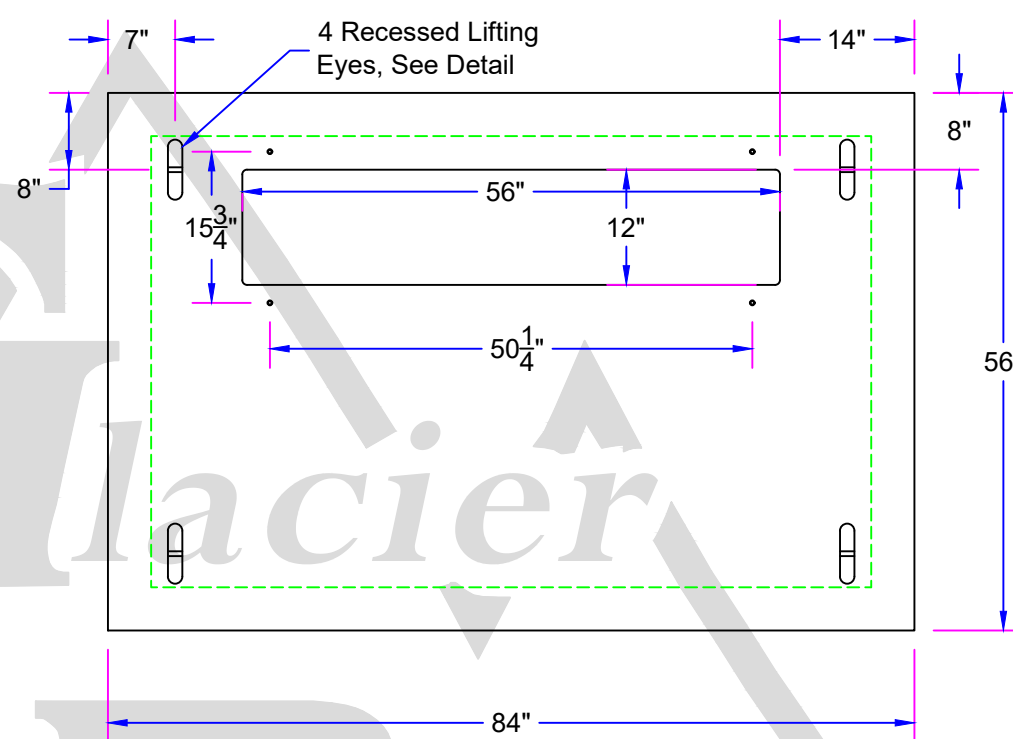
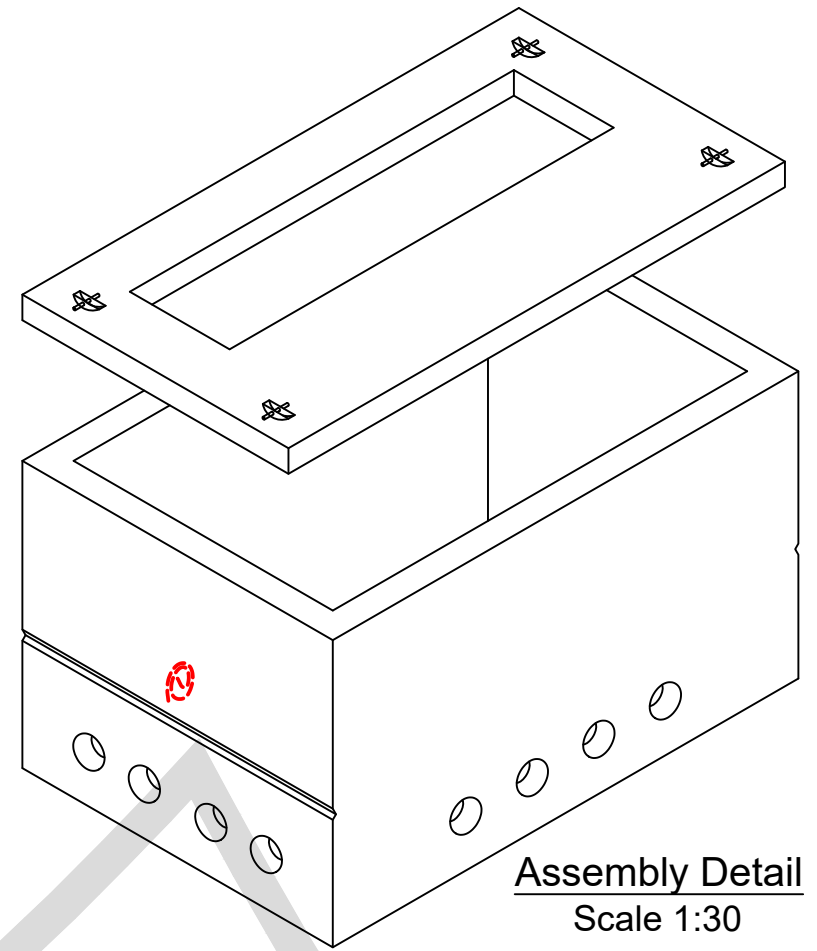


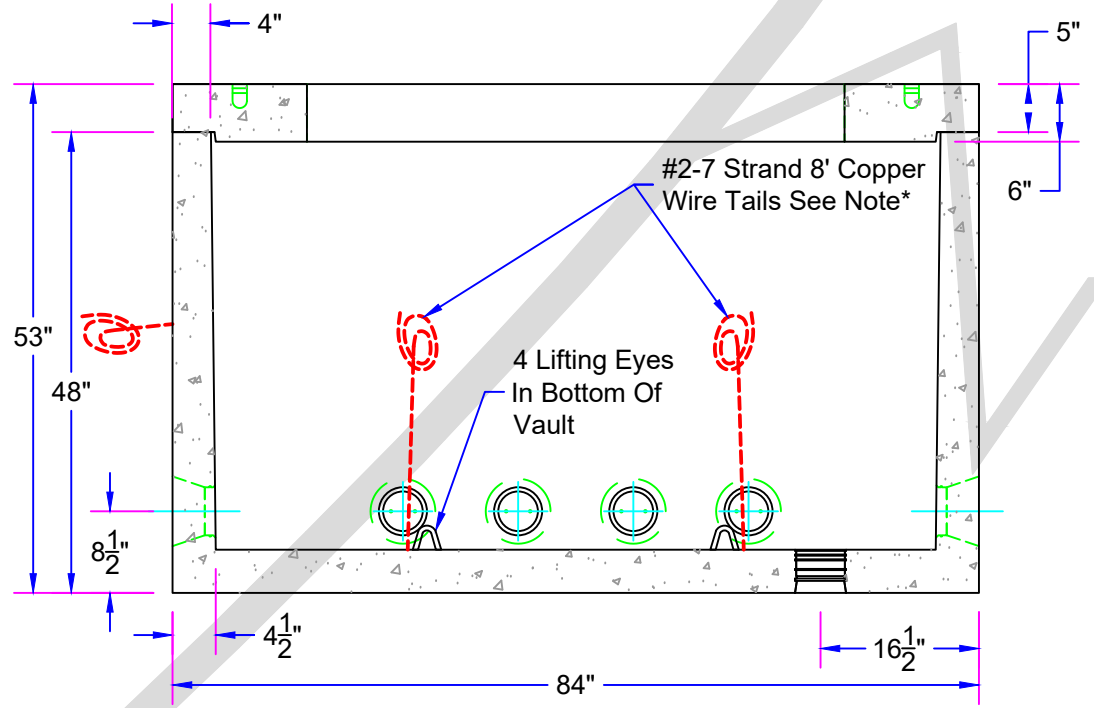
Top View
Scale: 1:20



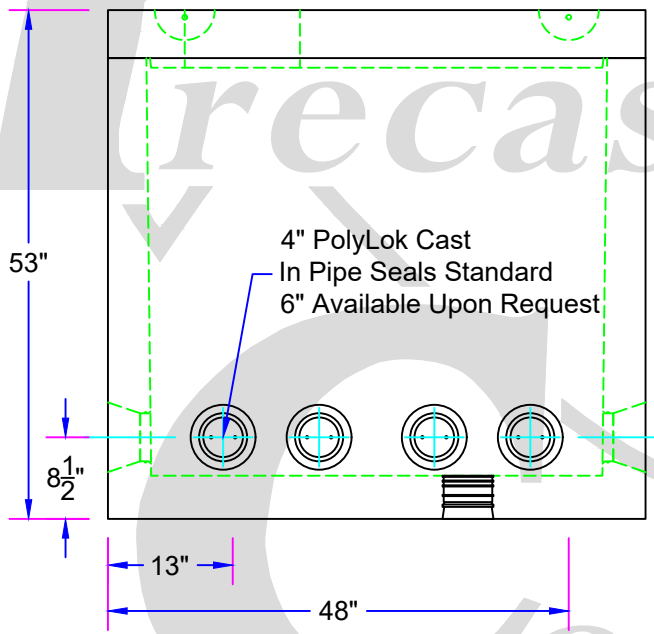
Lid Detail
Scale: 1:20



Assembly Detail
Scale 1:30

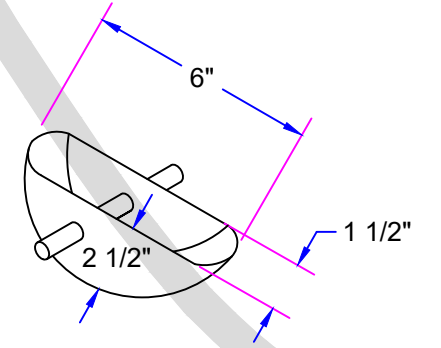


Section A Detail
Scale: 1:20



Right Side View
Scale: 1:20

Note:
Two 6' Tails Inside The Vault And A 5' Tail Outside Of Vault all tied together
Standard Vault Lid Shown. Solid and Custom Lid Sizes, Bolt Pattern & Opening Sizes Available To Match Specific Electrical Equipment.
Standard Duct Entrance Size is 4", But 6" Entrances Available Upon Request.



Lid Lifting Eye Detail
Scale 1:5

Approx. Weight Standard Lid = 1,740 Lbs
Approx. Weight Vault = 5,500 Lbs
Approx. Weight Vault With Lid = 7,240 Lbs

Glacier
Precast
Concrete, Inc.



175 Alder Drive
Kalispell, MT. 59901
(406) 752-7163
www.glacierprecast.com
Or Visit Us On Facebook

AMENDMENTS:			
REV.	DESCRIPTION:	BY:	DATE:

SITE:	Glacier Precast Concrete
TITLE:	Three Phase Electrical Vault

DRAWING NO.	GPC0002	PROJECT NO.		DATE.	16FEB21
SCALE AT A4.	1:20	DRAWN.	EJP	CHECKED.	
				REVISION.	