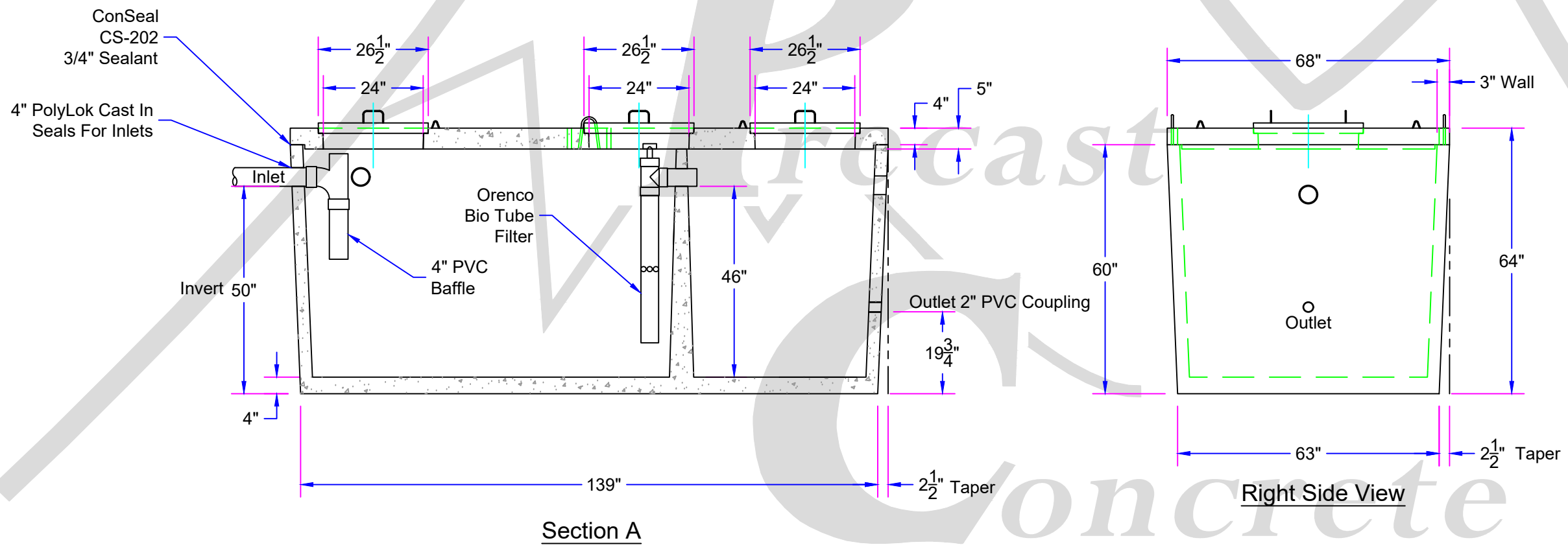


- Notes:
1. Drawing Shown With Concrete Lids, Concrete Risers and PVC Lids and Risers Available.
 2. Reinforcement Drawings Available Upon Request.
 3. Tank Designs Meet ASTM C1227, C890 & Montana DEQ Circular 4 With 6 Feet Of Bury.
 4. Traffic Rated Tank Lids Available.
 5. Pump Installation Available
 6. Minimum 4000 PSI Concrete W/ 661010 WWM & #4 Rebar



Approx. Weight With Standard Lid = **14,100 Lbs.**
 Approx. Weight With Traffic Rated Lid = **17,100 Lbs.**

Glacier
Precast
Concrete, Inc.



175 Alder Drive
Kalispell, MT. 59901
(406) 752-7163
www.glacierprecast.com
Or Visit Us On Facebook

AMENDMENTS:			
REV.	DESCRIPTION:	BY:	DATE:

SITE:	Glacier Precast Concrete
TITLE:	1000/500 Gallon Septic/Pump Chamber

DRAWING NO.	GPC0003	PROJECT NO.		DATE.	11/01/16
SCALE AT A4.	1:30	DRAWN.	JRC	CHECKED.	
				REVISION.	