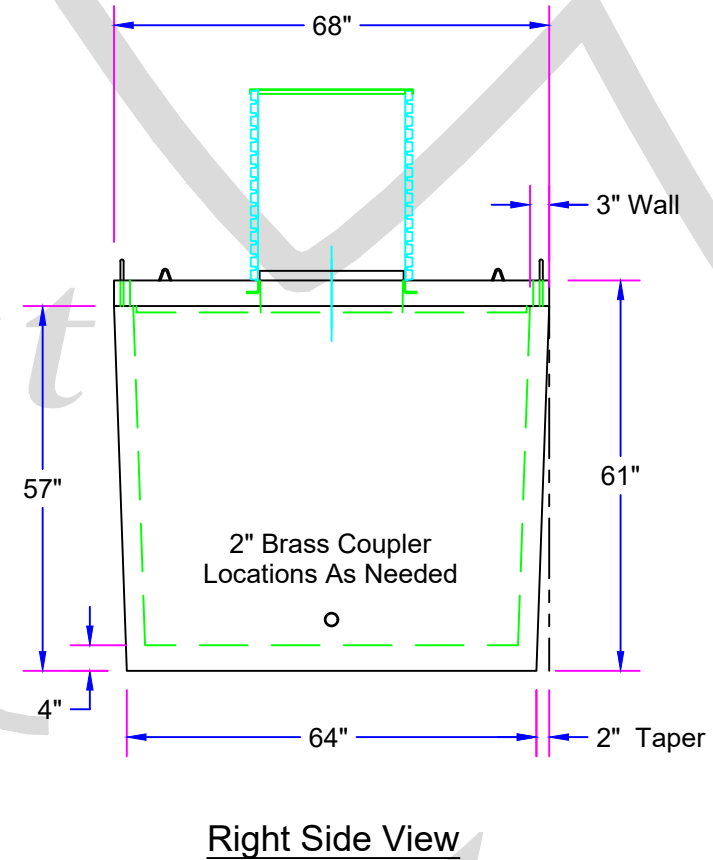
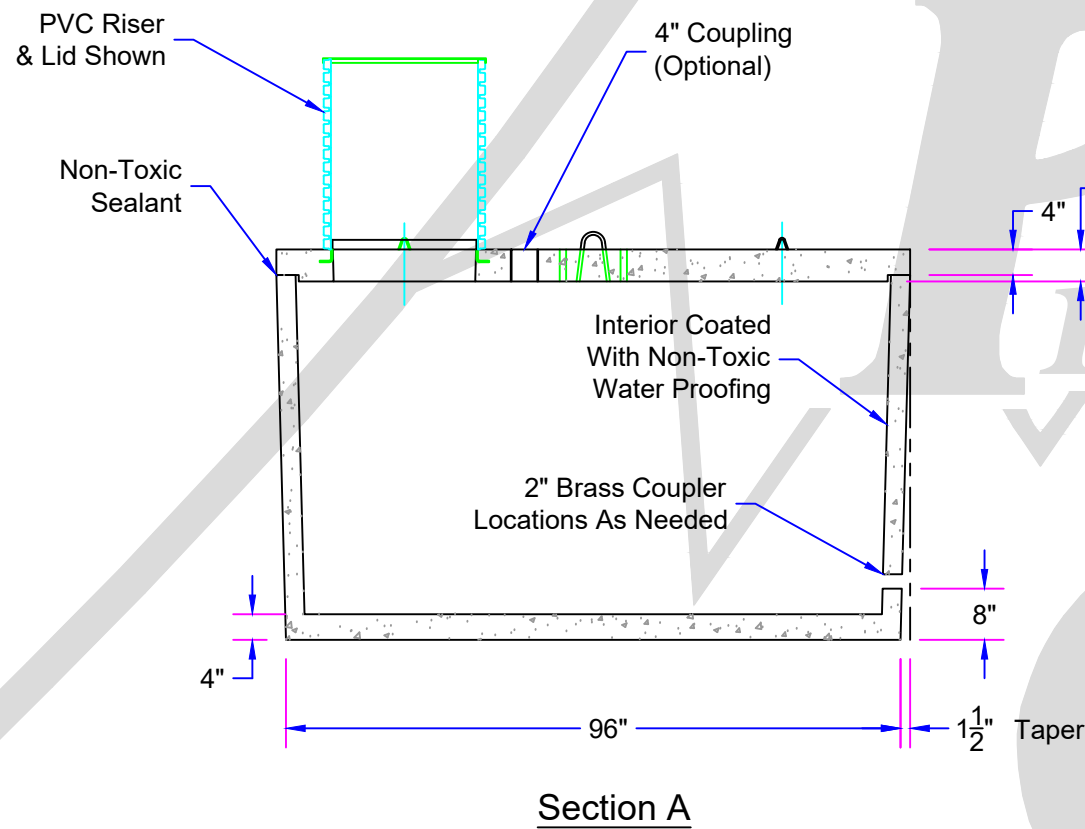


- Notes:
1. Drawing Shown With Concrete Lids, Concrete Risers and PVC Lids and Risers Available.
  2. Reinforcement Drawings Available Upon Request.
  3. Tank Designs Meet ASTM C1227, C890 & Montana DEQ Circular 4 With 6 Feet Of Bury.
  4. Traffic Rated Tank Lids Available.
  5. Non-Toxic Sealant And Interior Water Proofing On Tank
  6. Minimum 4000 PSI Concrete W/ 661010 WWM & #4 Rebar



Approx. Weight With Standard Lid = **10,370 Lbs.**  
 Approx. Weight With Traffic Rated Lid = **12,680 Lbs.**

Glacier  
Precast  
Concrete, Inc.



175 Alder Lane  
Kalispell, MT. 59901  
(406) 752-7163  
www.glacierprecast.com  
Or Visit Us On Facebook

AMENDMENTS:			
REV:	DESCRIPTION:	BY:	DATE:

SITE:	Glacier Precast Concrete
TITLE:	1200 Gallon Cistern

DRAWING NO.	PROJECT NO.	DATE:	12/16/16
1:30 SCALE AT A4.	JRC DRAWN.	CHECKED.	REVISION.