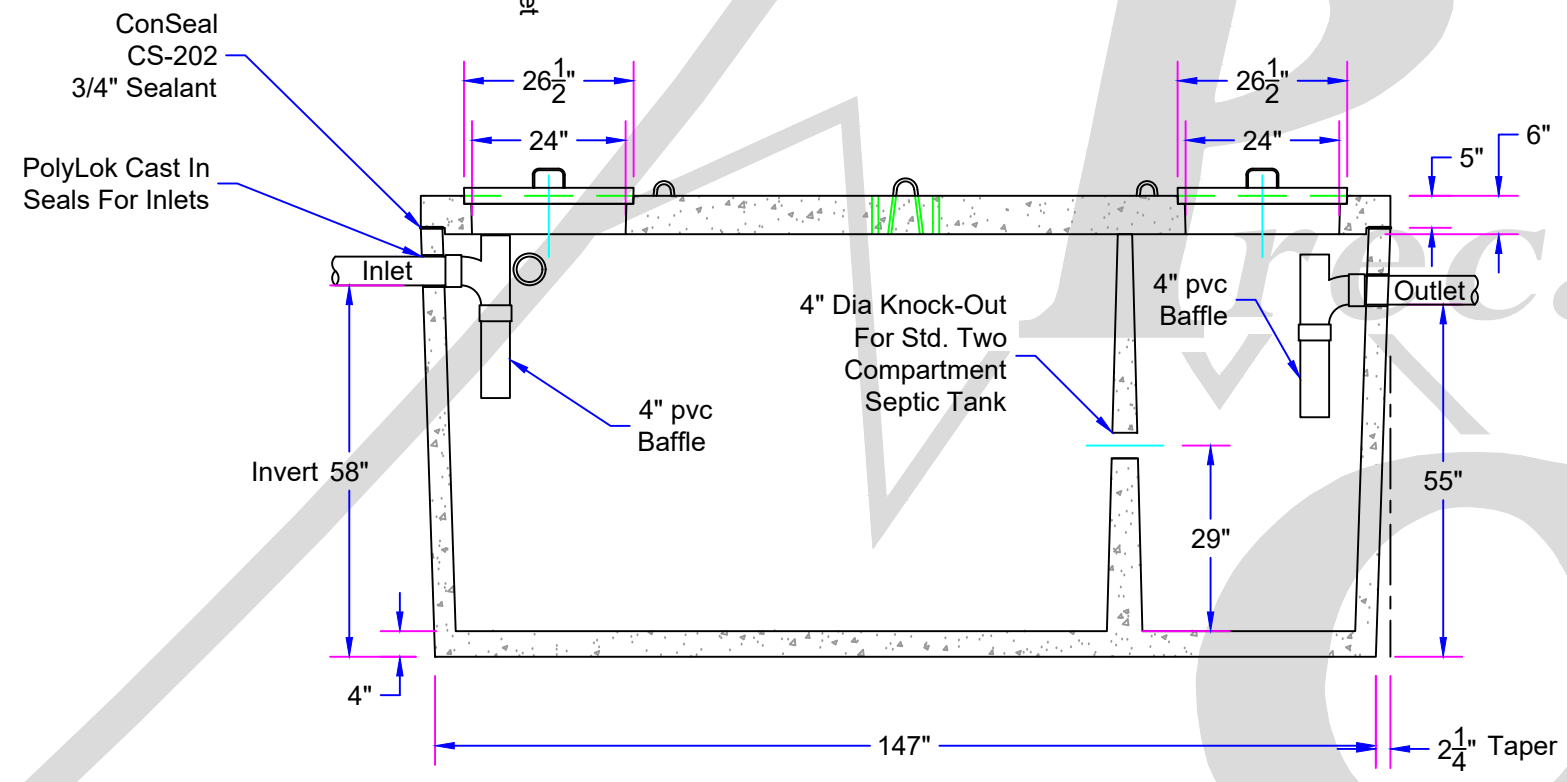
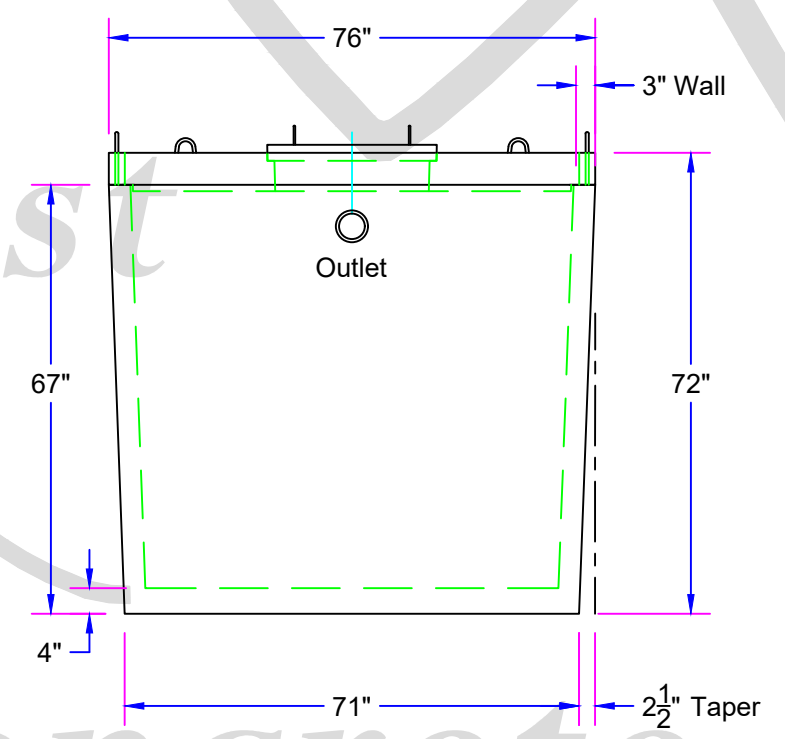


Top View

- Notes:
1. Drawing Shown With Concrete Lids, Concrete Risers and PVC Lids and Risers Available.
 2. Reinforcement Drawings Available Upon Request.
 3. Tank Designs Meet ASTM C1227, C890 & Montana DEQ Circular 4 With 6 Feet Of Bury.
 4. Traffic Rated Tank Lids Available.



Section A



Right Side View

Approx. Weight With Standard Lid = **17,800 Lbs.**
 Approx. Weight With Traffic Rated Lid = **21,680 Lbs.**

Glacier
Precast
Concrete, Inc.



175 Alder Lane
Kalispell, MT. 59901
(406) 752-7163
www.glacierprecast.com
Or Visit Us On Facebook

AMENDMENTS:			
REV.	DESCRIPTION:	BY:	DATE:

SITE:	Glacier Precast Concrete
TITLE:	2000 Gallon Septic Tank

DRAWING NO.	GPC0001	PROJECT NO.		DATE.	10/28/2016
SCALE AT A4.	1:30	DRAWN.	JRC	CHECKED.	