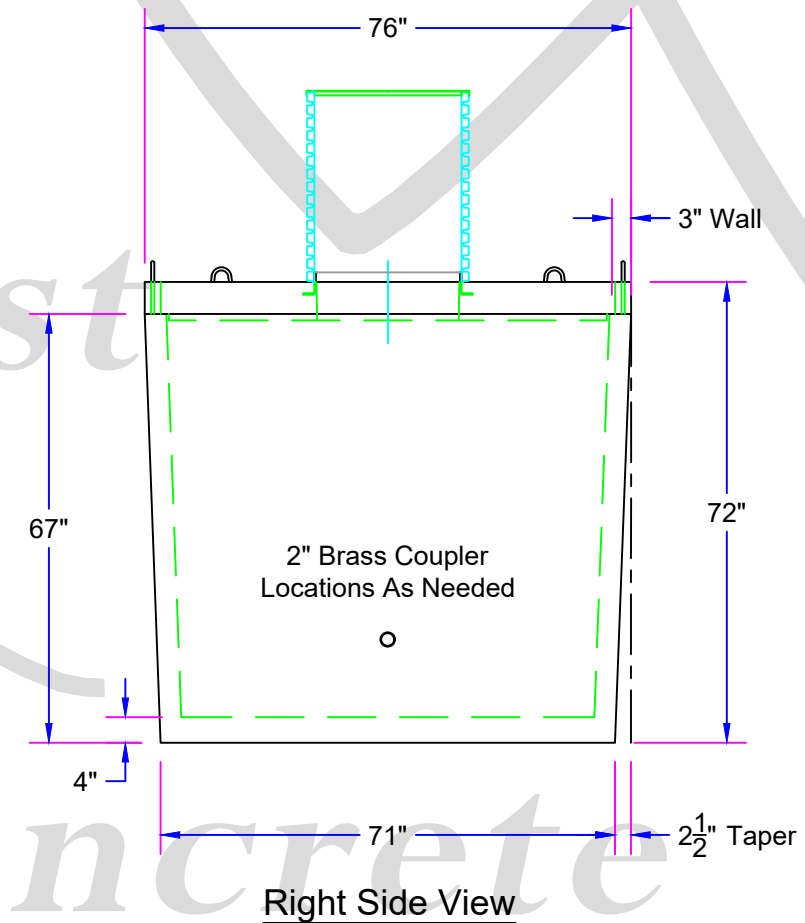
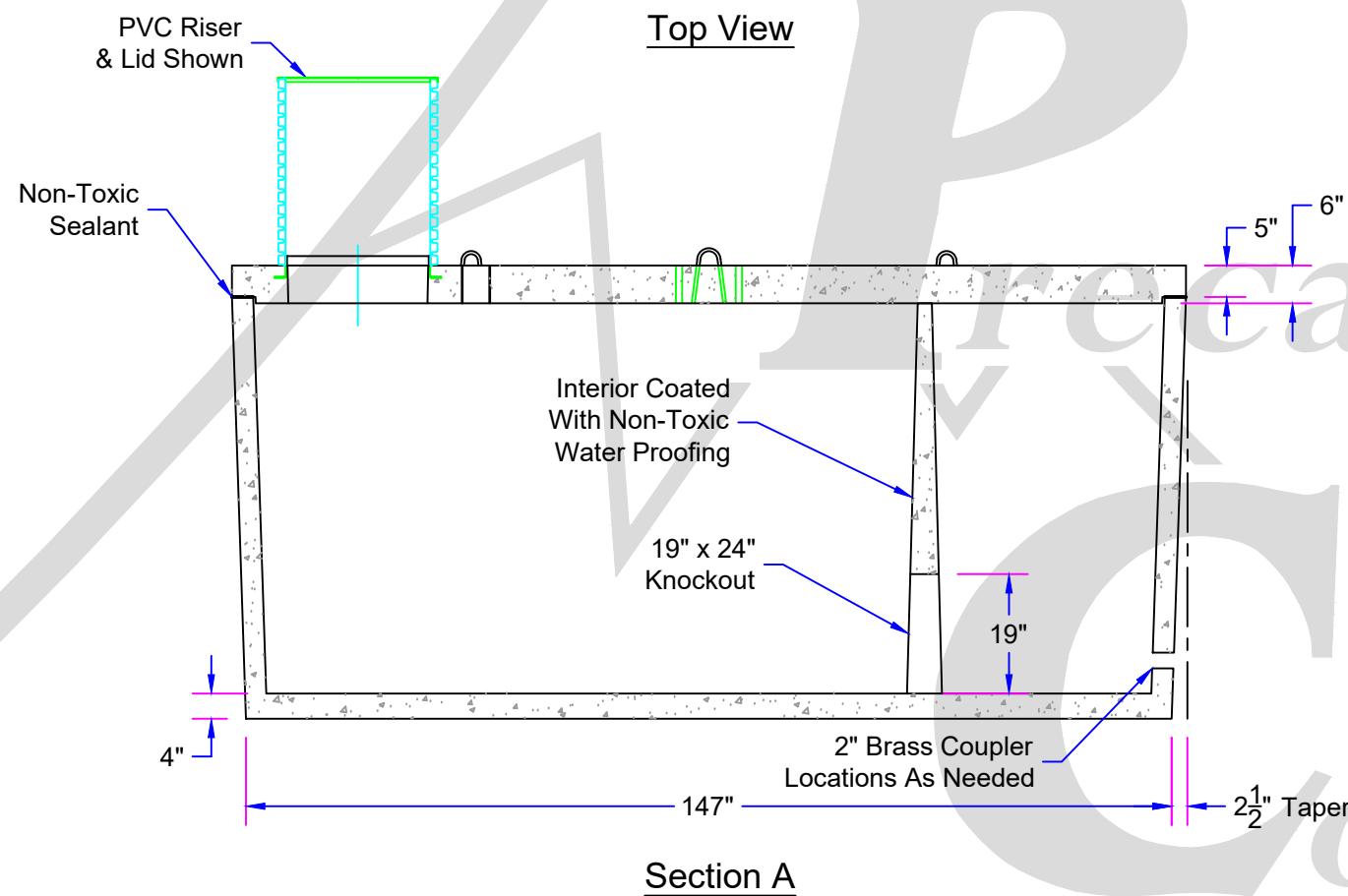


- Notes:
1. Drawing Shown With Concrete Lids, Concrete Risers and PVC Lids and Risers Available.
 2. Reinforcement Drawings Available Upon Request.
 3. Tank Designs Meet ASTM C1227, C890 & Montana DEQ Circular 4 With 6 Feet Of Bury.
 4. Traffic Rated Tank Lids Available.
 5. Minimum 4000 PSI Concrete



Approx. Weight With Standard Lid = **17,800 Lbs.**
 Approx. Weight With Traffic Rated Lid = **21,680 Lbs.**

Glacier
Precast
Concrete, Inc.



175 Alder Lane
Kalispell, MT. 59901
(406) 752-7163
www.glacierprecast.com
Or Visit Us On Facebook

AMENDMENTS:			
REV.	DESCRIPTION:	BY:	DATE:

SITE:	Glacier Precast Concrete
TITLE:	2440 Gallon Water Cistern

GPC0001	10/28/2016
DRAWING NO.	DATE.
1:30	JRC
SCALE AT A4.	DRAWN.
CHECKED.	REVISION.