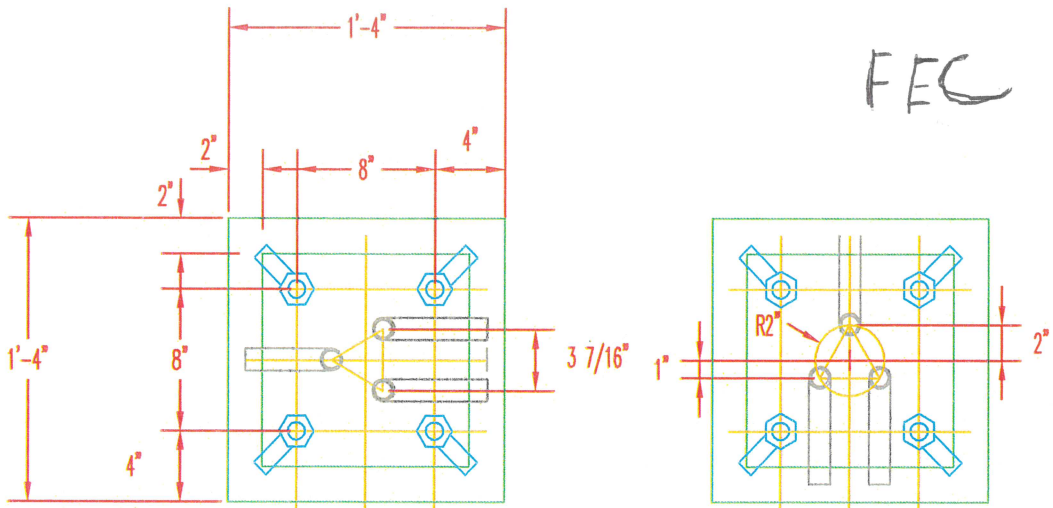
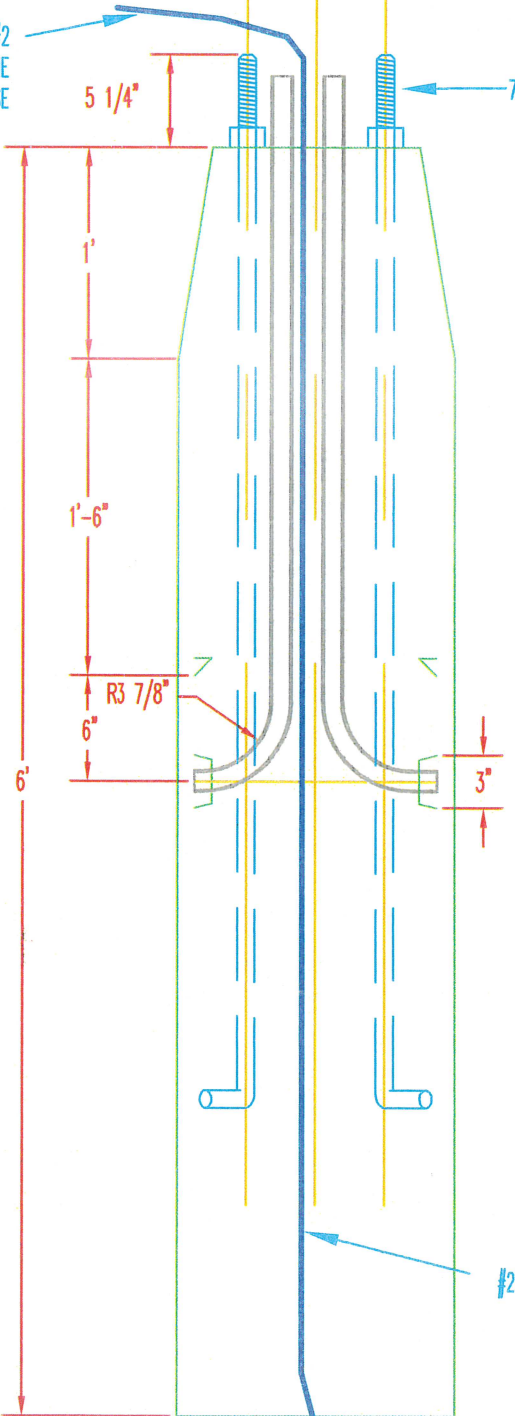


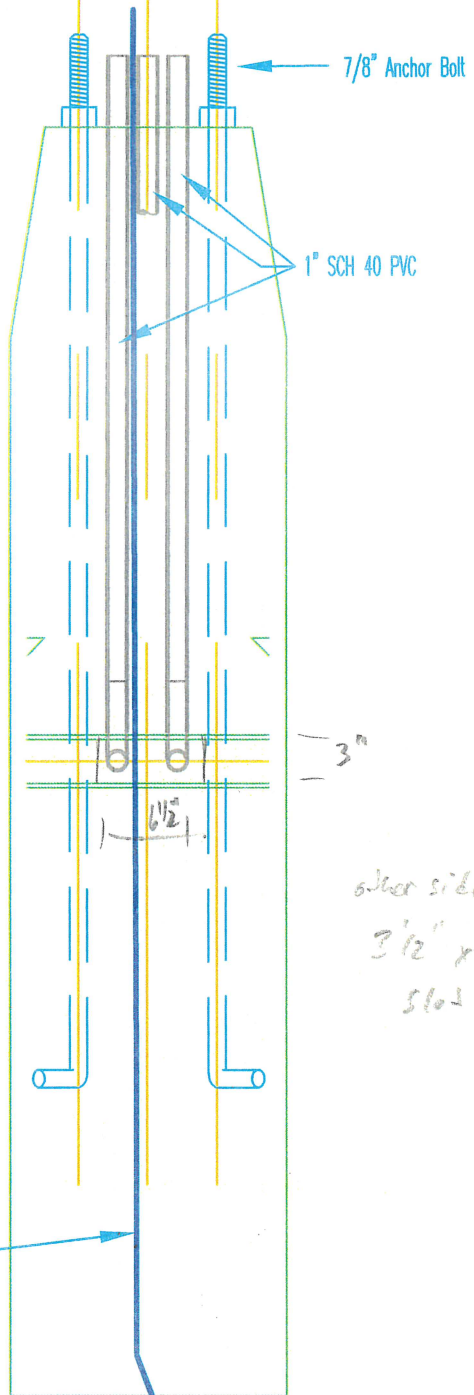
FEC



LEAVE 3' OF #2 CU OUT THE TOP OF BASE



7/8" Anchor Bolt



7/8" Anchor Bolt

1" SCH 40 PVC

#2 CU

COIL 3' OF

other side  
3 1/2" x 3"  
slot