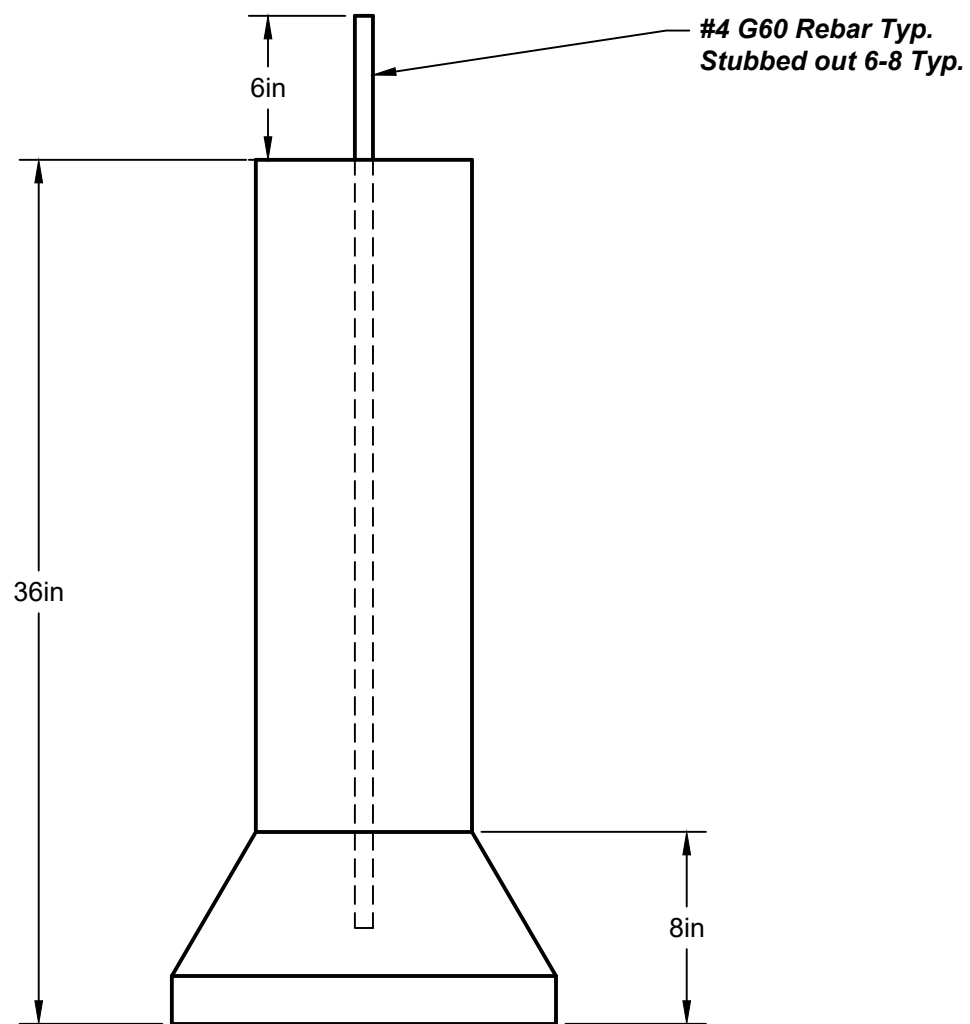
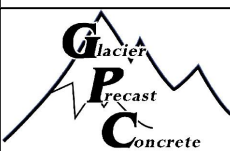


PLAN VIEW
NTS



ELEVATION VIEW
NTS



COMPANY: GLACIER PRECAST CONCRETE, INC.
TITLE: GLACIER PRECAST CONCRETE SONOTUBE
DRAWN BY: BP

CUSTOMER: N/A - INTERNAL DOCUMENT
PROJECT NAME: N/A - INTERNAL DOCUMENT
DATE: 8/5/2020

CY: N/A
WEIGHT: ~ 250 LBS

MIX: 4000 PSI
SHEET: 1/1

