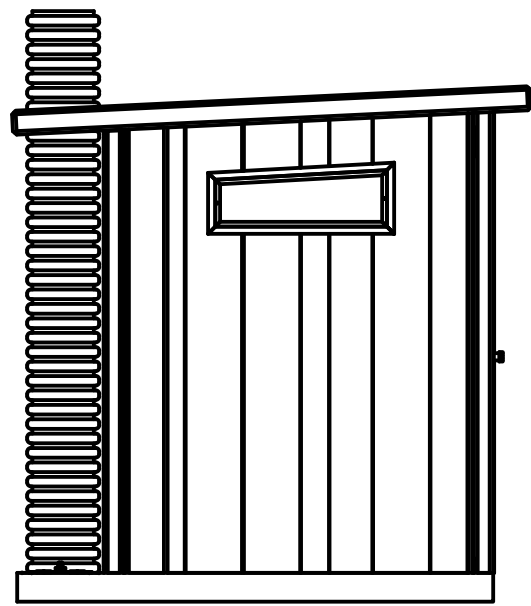
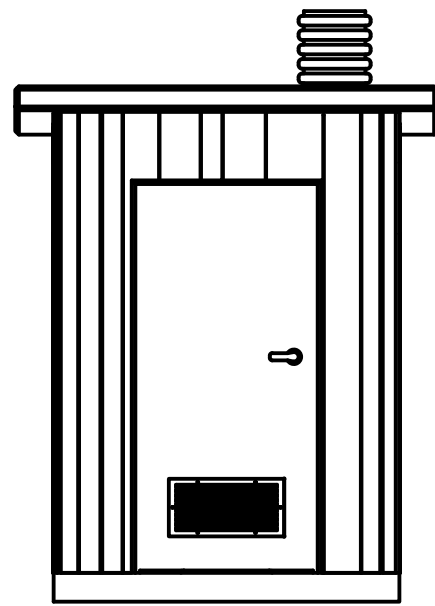


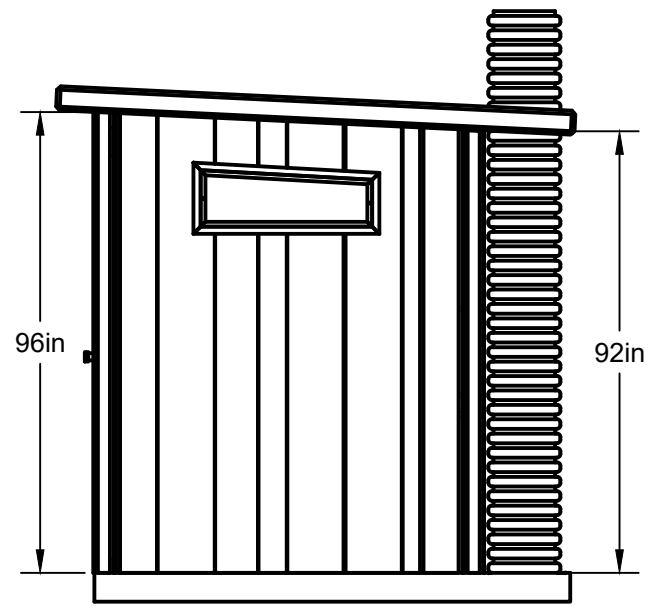
GPC LATRINE



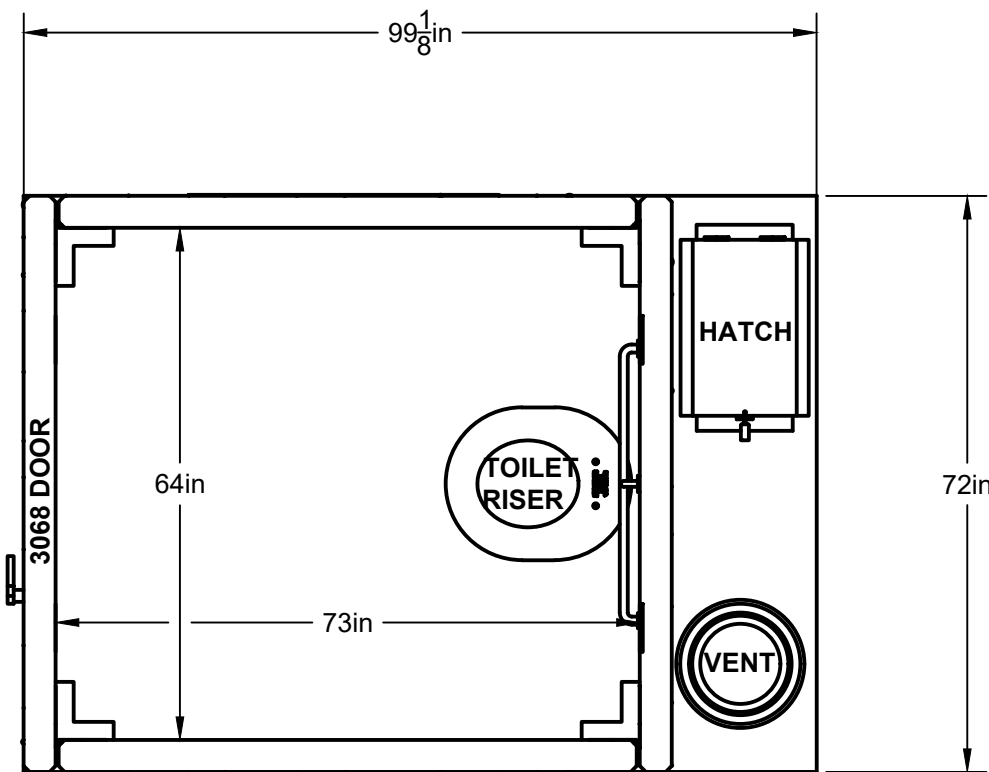
LH ELEVATION
NTS



FRONT ELEVATION
NTS

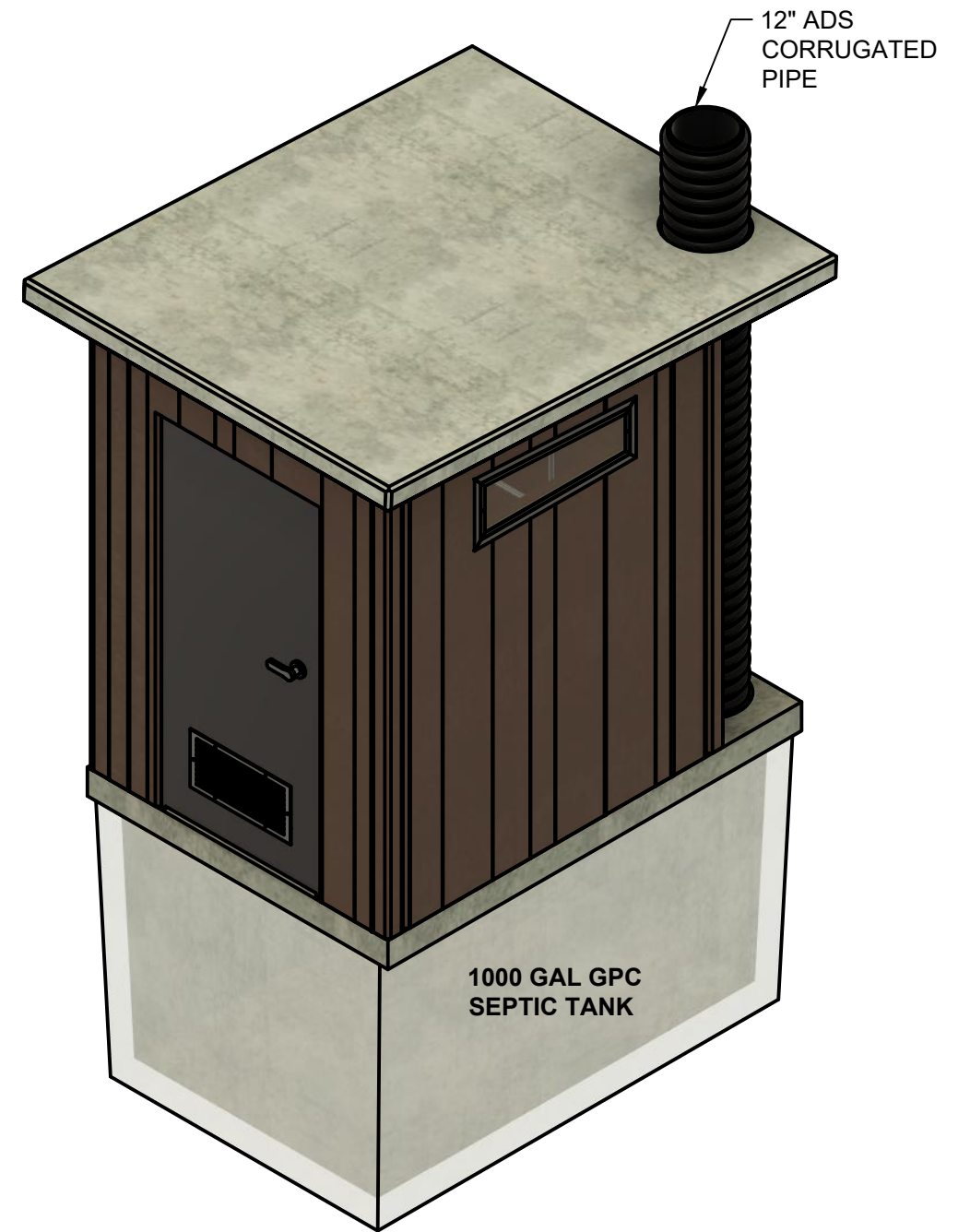


RH ELEVATION
NTS



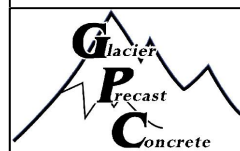
PLAN VIEW

$\frac{1}{2}'' = 1'$



1000 GAL GPC
SEPTIC TANK

12" ADS
CORRUGATED
PIPE



COMPANY: GLACIER PRECAST CONCRETE, INC.
TITLE: OVERALL
DRAWN BY: BP

CUSTOMER: TBD
PROJECT NAME: TBD
DATE: 2/2/2022

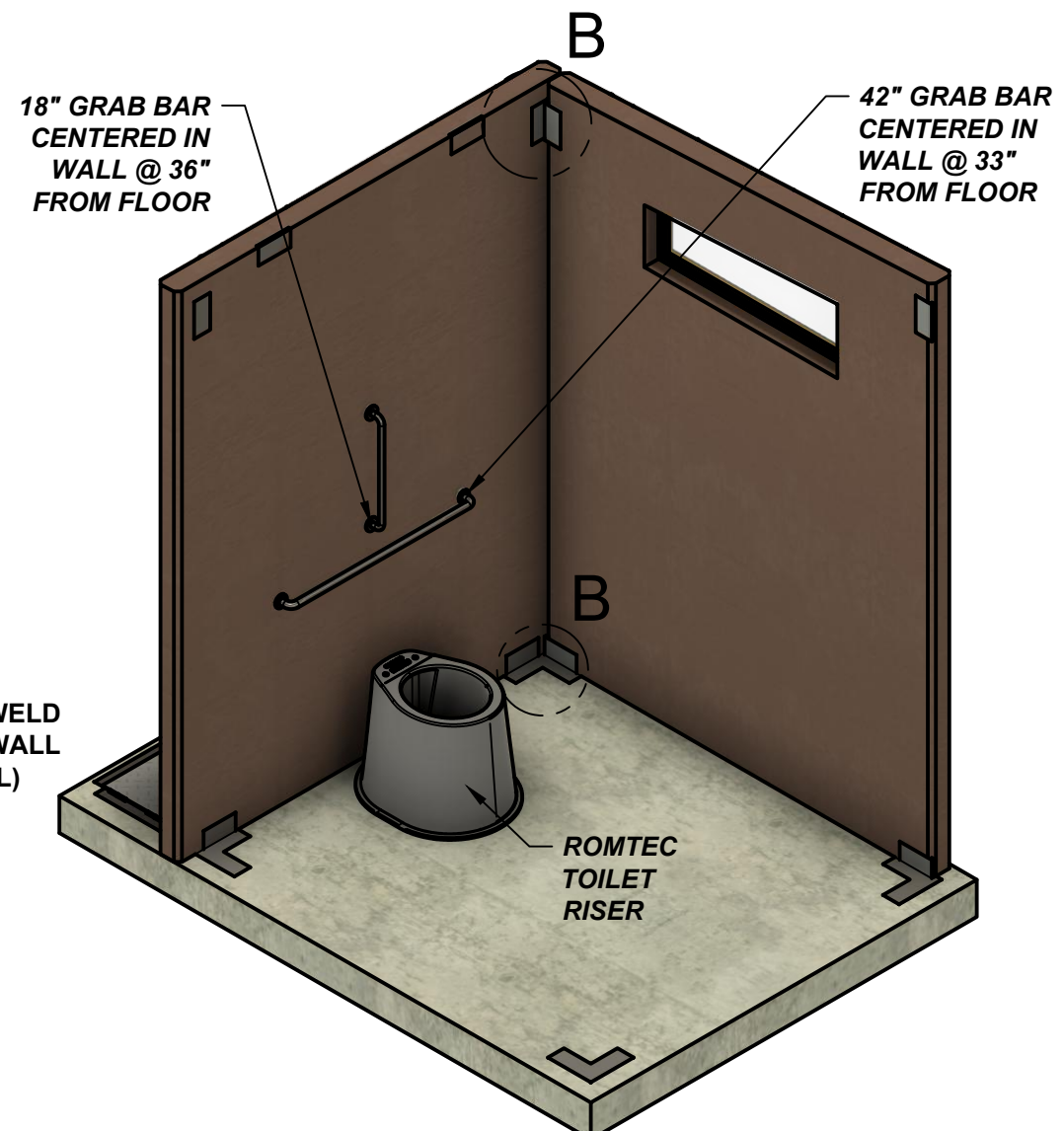
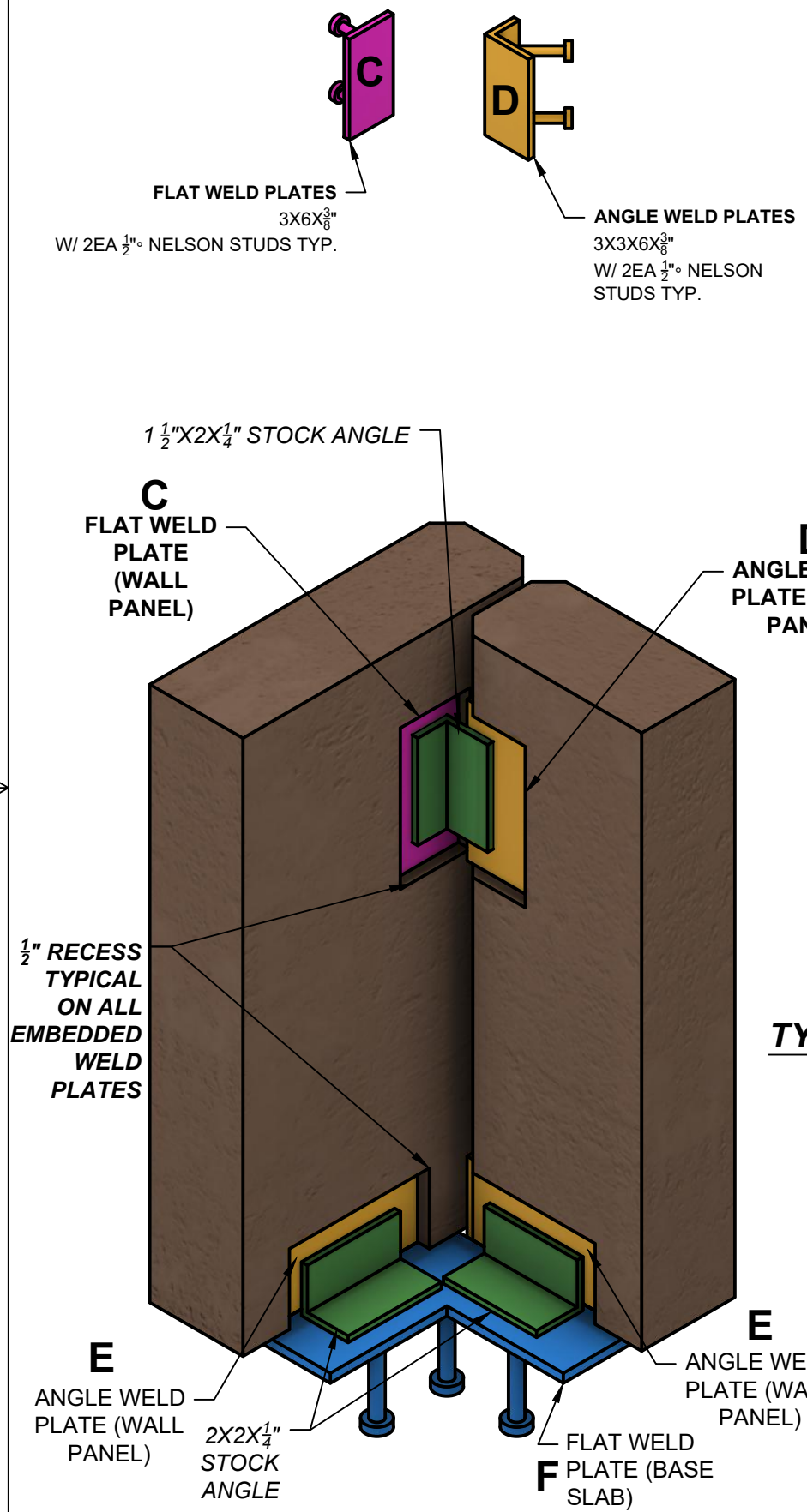
SCALE: 1:30

CY:
WEIGHT:

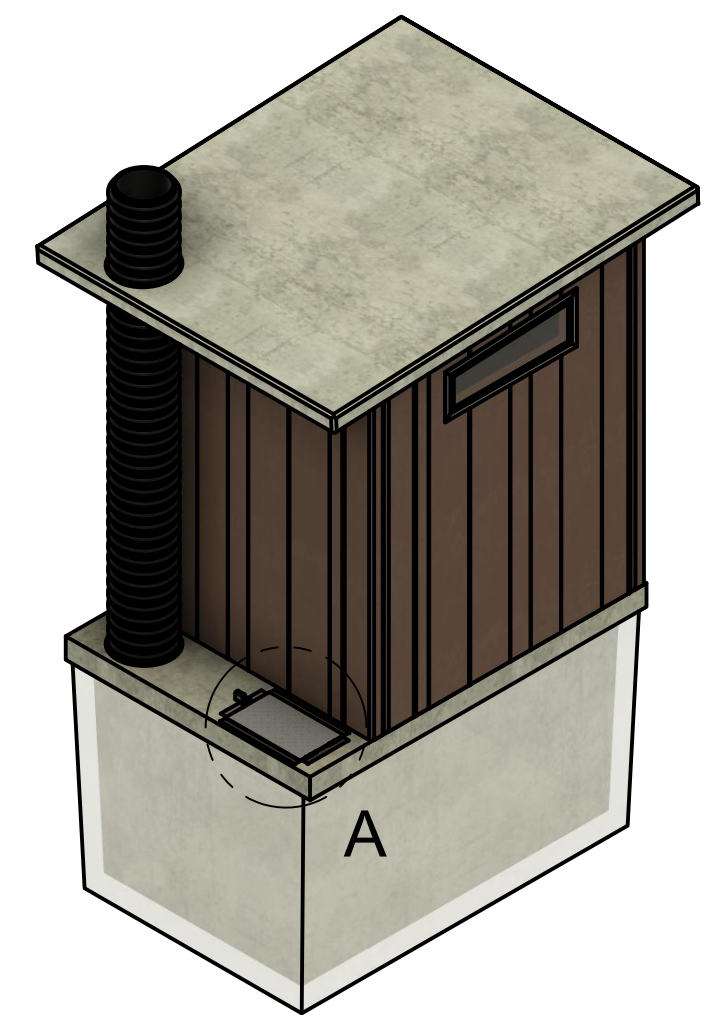
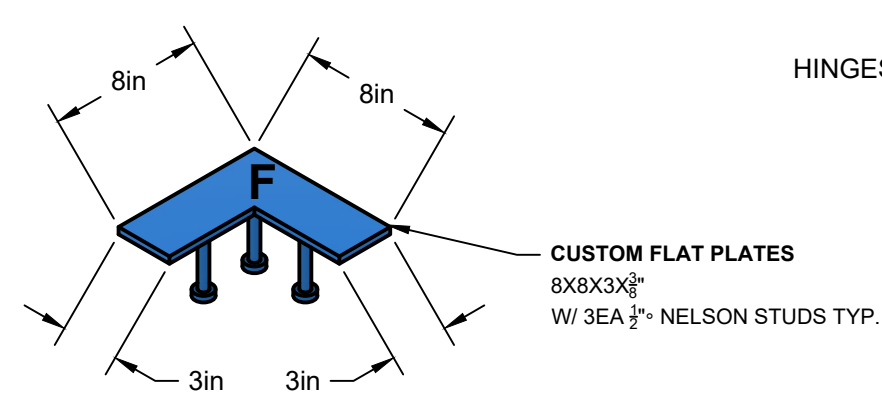
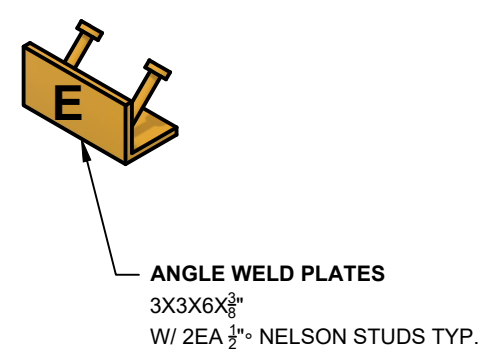
MIX:
SHEET: 1/10



GENERAL DETAILS



TYP. CONNECTION DETAIL
NTS



HATCH DETAIL
NTS

**21"X12" IF TO IF DIM.

	COMPANY: GLACIER PRECAST CONCRETE, INC.	CUSTOMER: TBD		
	TITLE: DETAILS	PROJECT NAME: TBD	CY:	MIX:
	DRAWN BY: BP	DATE: 2/2/2022	SCALE: 1:25	WEIGHT:



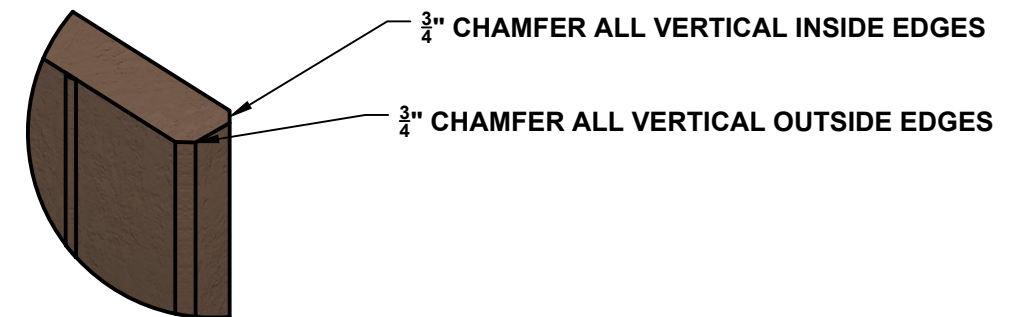
ARCHITECTURAL DETAILS




EXTERIOR FORM LINER:
BARNWOOD FORM LINER

INTEGRAL DRY PIGMENT COLOR:
338 LEATHER

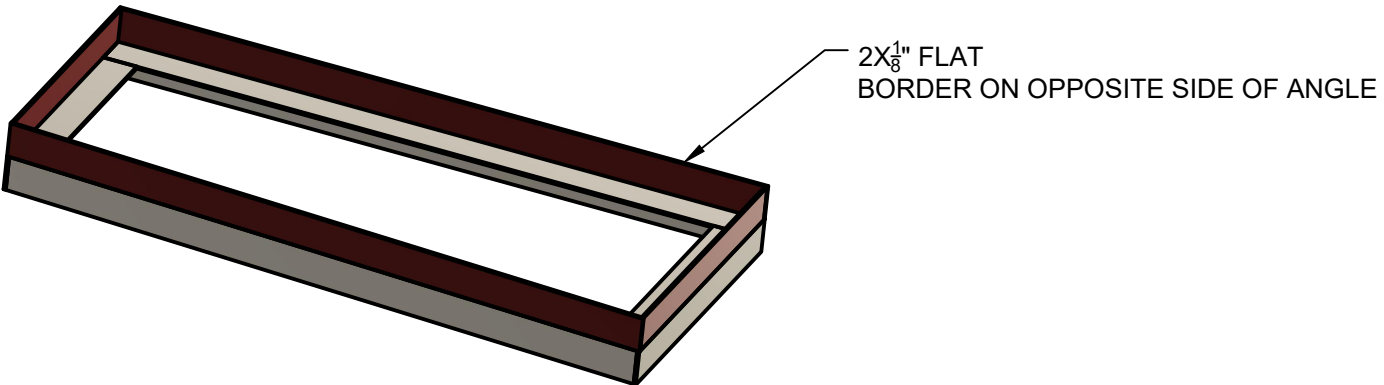
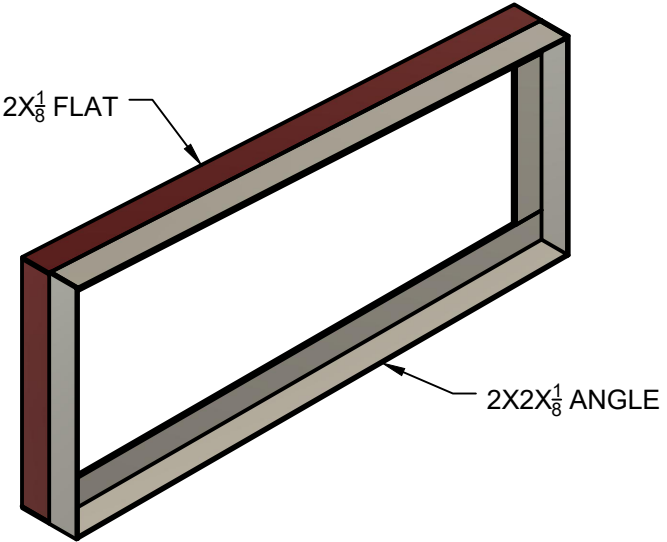
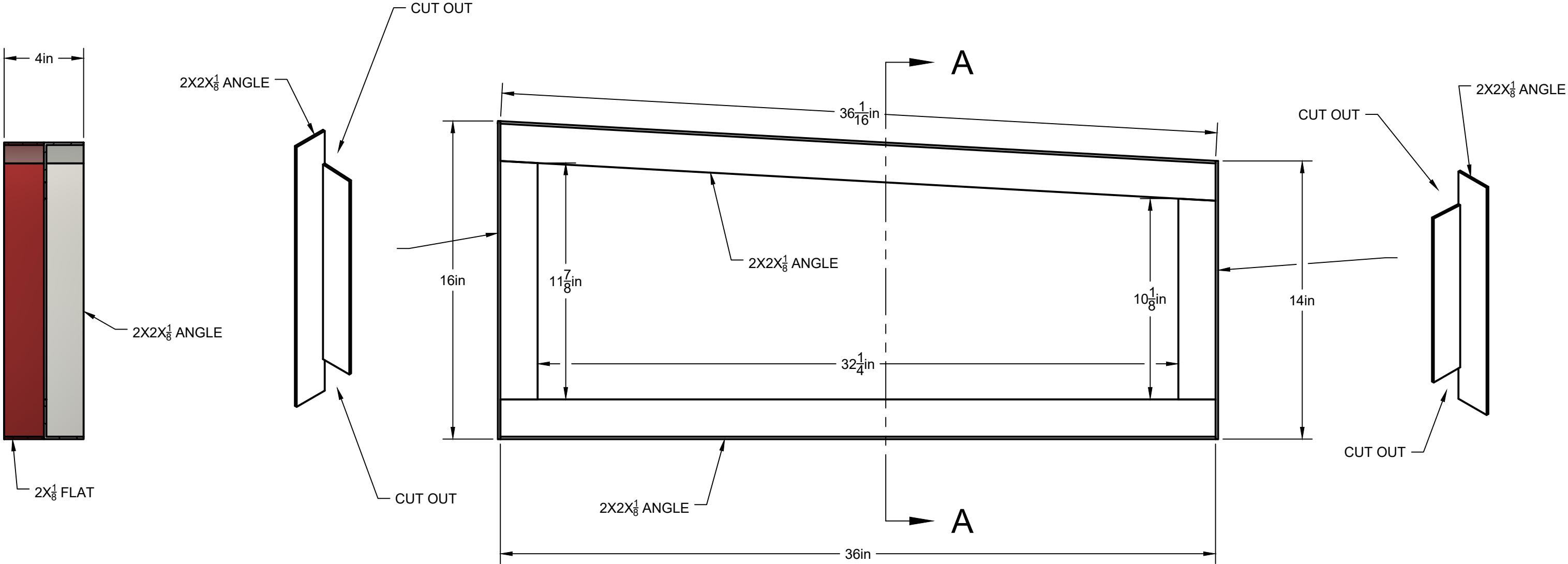
WINDOW EMBED
SEE NEXT PAGE
FOR DETAILS



DETAIL A - ISOMETRIC VIEW
NTS

	COMPANY: GLACIER PRECAST CONCRETE, INC.	CUSTOMER:			
	TITLE: ARCHITECTURAL DETAILS	PROJECT NAME:		CY:	MIX:
	DRAWN BY: BP	DATE:	SCALE: 0.003562	WEIGHT:	SHEET: 3/10

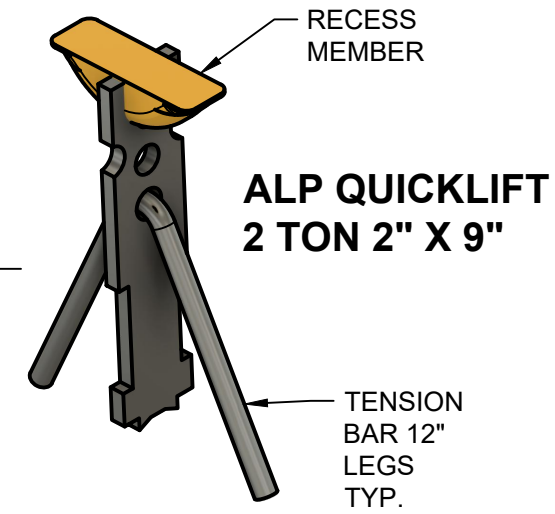
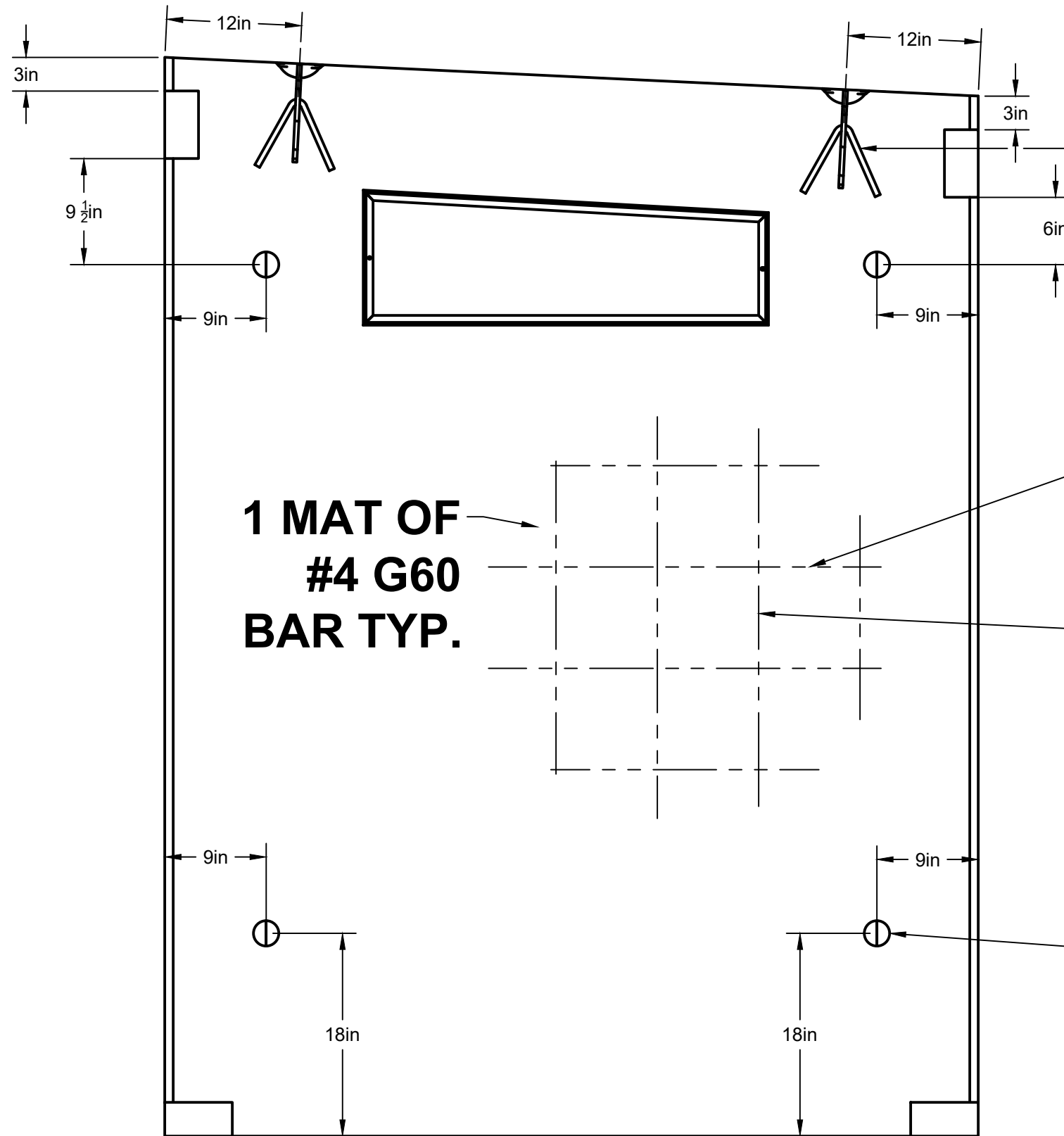
LATRINE WINDOW EMBED FAB. DETAIL



	COMPANY: GLACIER PRECAST CONCRETE, INC.	CUSTOMER:		
	TITLE: ARCHITECTURAL DETAILS	PROJECT NAME:	CY:	MIX:
	DRAWN BY: BP	DATE:	SCALE: 1:5	WEIGHT:

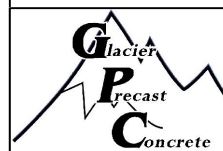
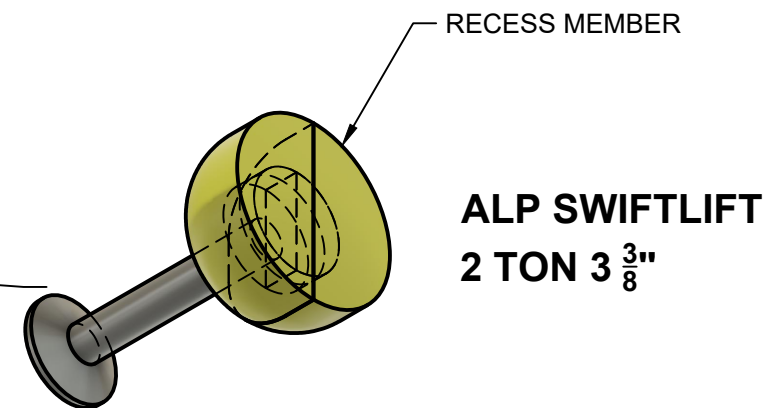


REINFORCEMENT & LIFT DETAILS



#4 G60 BAR HORIZ. @ 9" O.C.

#4 G60 BAR VERT. @ 9" O.C.



COMPANY: GLACIER PRECAST CONCRETE, INC.
TITLE: REINFORCEMENT & LIFT DETAILS
DRAWN BY: BP

CUSTOMER:
PROJECT NAME:
DATE:

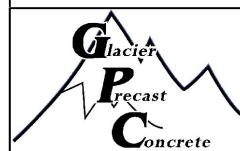
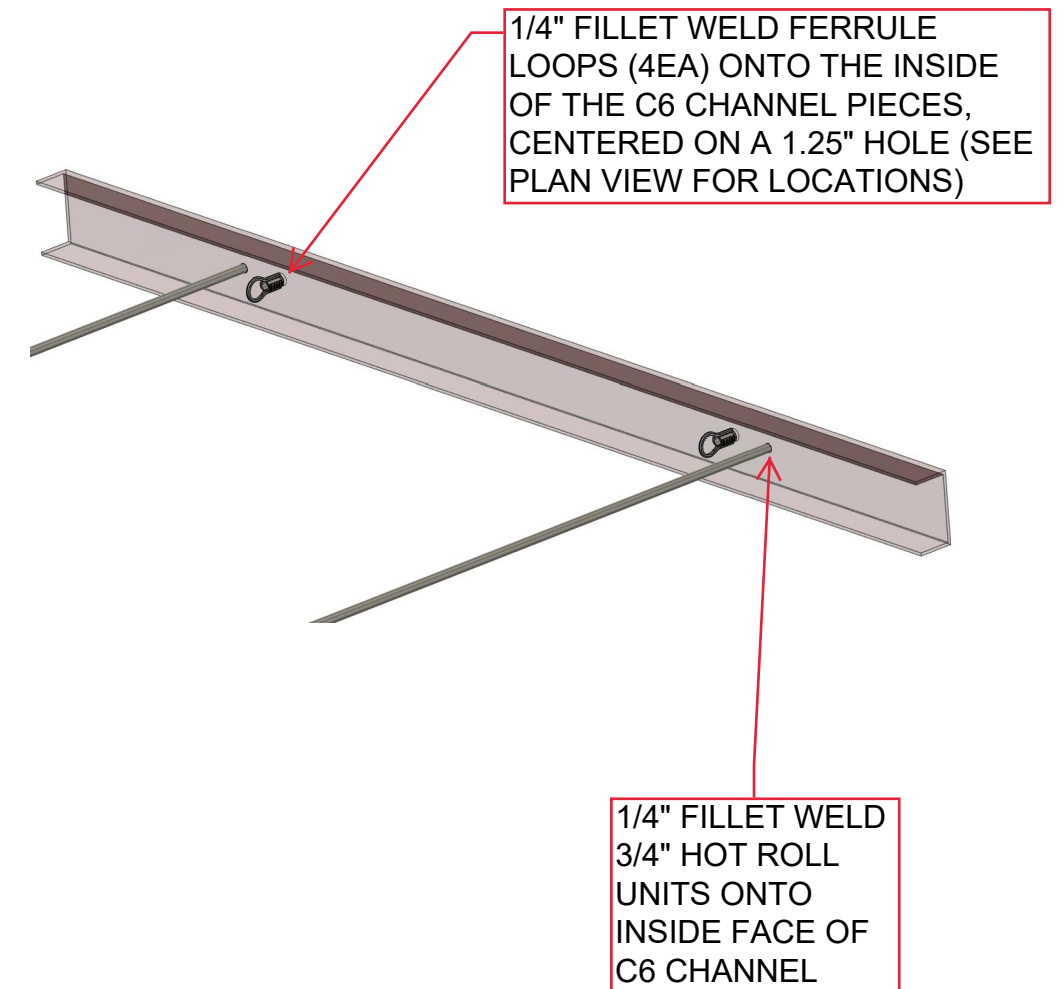
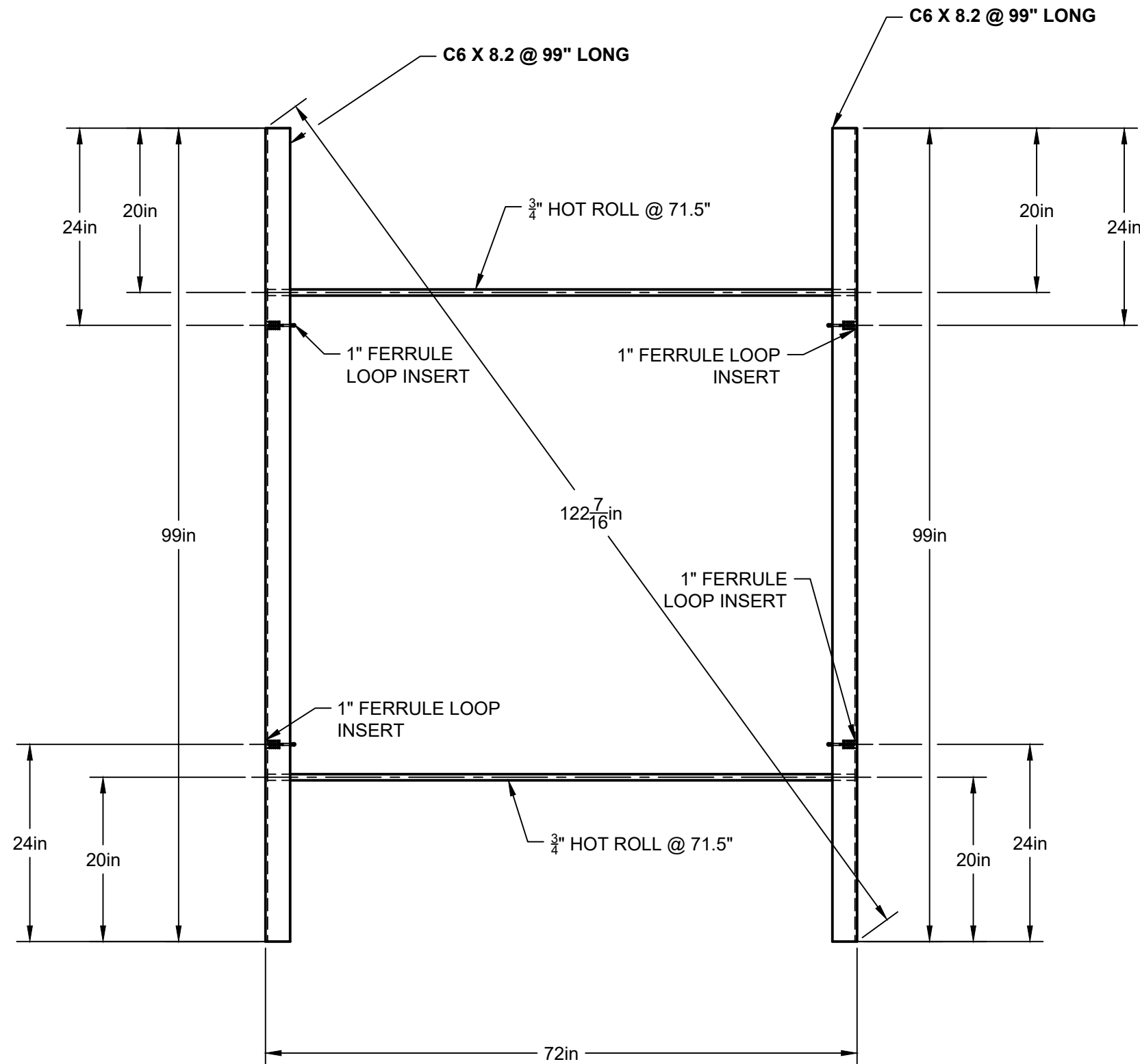
SCALE: 1:100

CY:
WEIGHT:

MIX:
SHEET: 4/10



LATRINE LIFTING SKELETON FAB. DETAILS



COMPANY: GLACIER PRECAST CONCRETE, INC.
 TITLE: LATRINE LIFTING SKELETON FAB. DETAILS
 DRAWN BY: BP

CUSTOMER:
 PROJECT NAME: GPC SINGLE LATRINE
 DATE: 2/4/2022

SCALE: 1:40

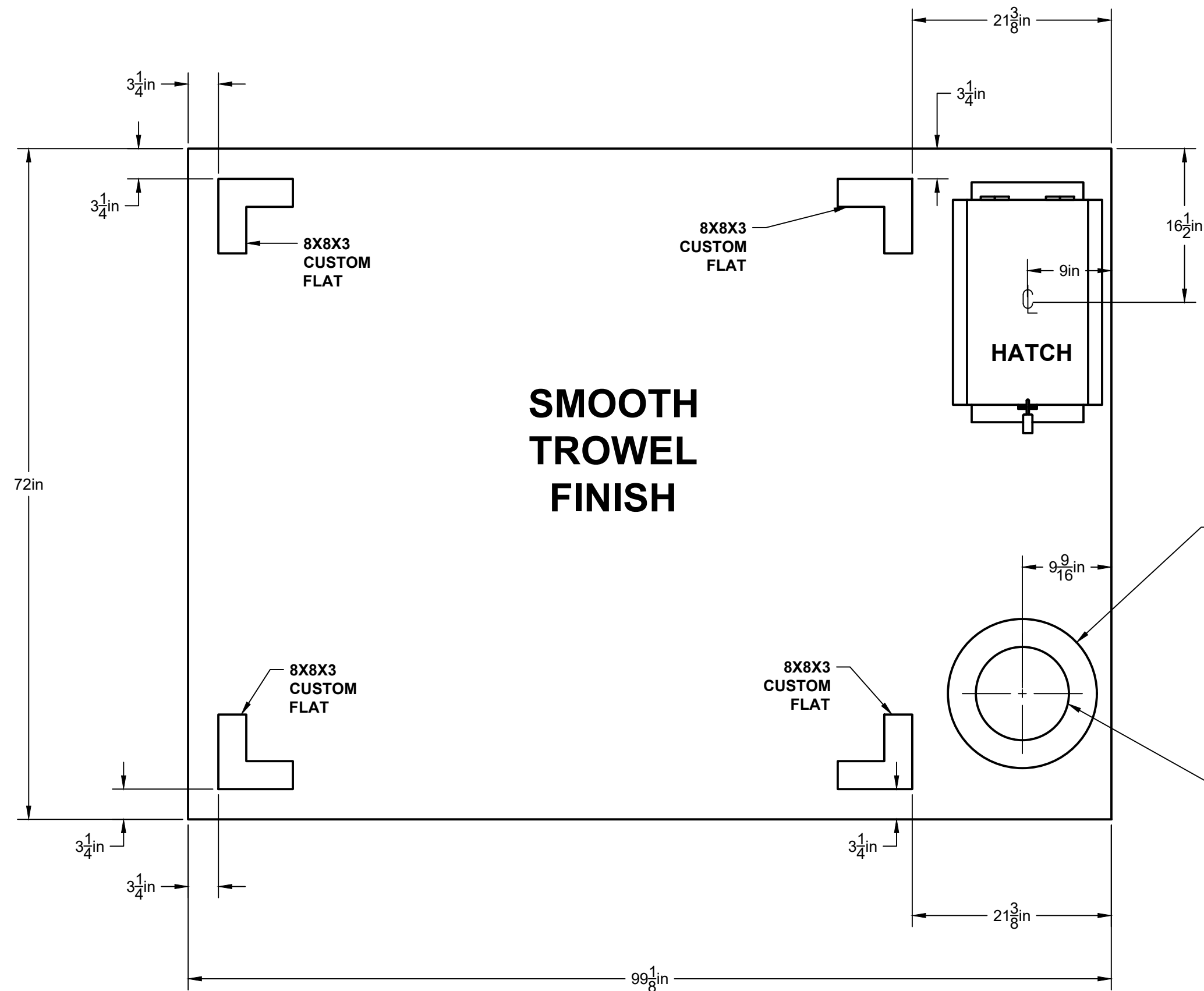
CY:
 WEIGHT:

MIX:
 SHEET: 1/1

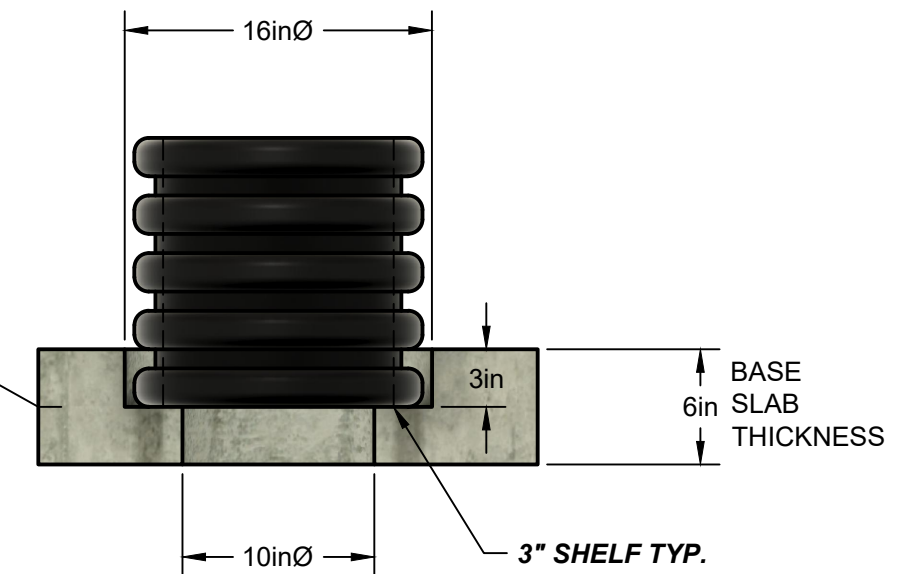


BASE SLAB DETAILS

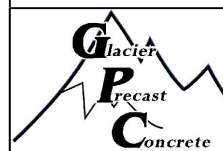
**SMOOTH
TROWEL
FINISH**



BLOCKOUT FOR VENT



SECTION VIEW - BLOCK OUT FOR VENT
NTS



COMPANY: GLACIER PRECAST CONCRETE, INC.
TITLE: BASE SLAB FINISH
DRAWN BY: BP

CUSTOMER:
PROJECT NAME:
DATE:

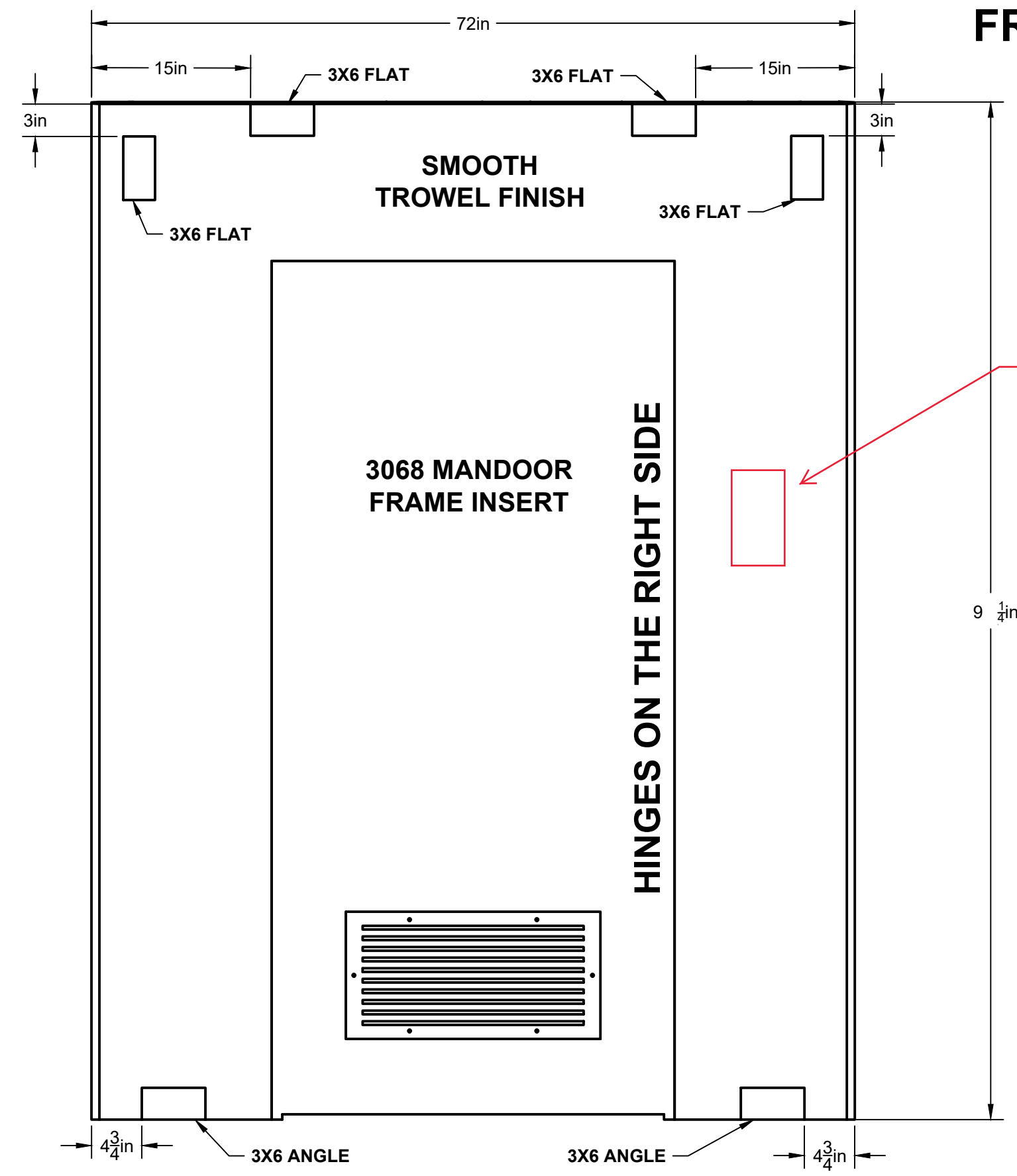
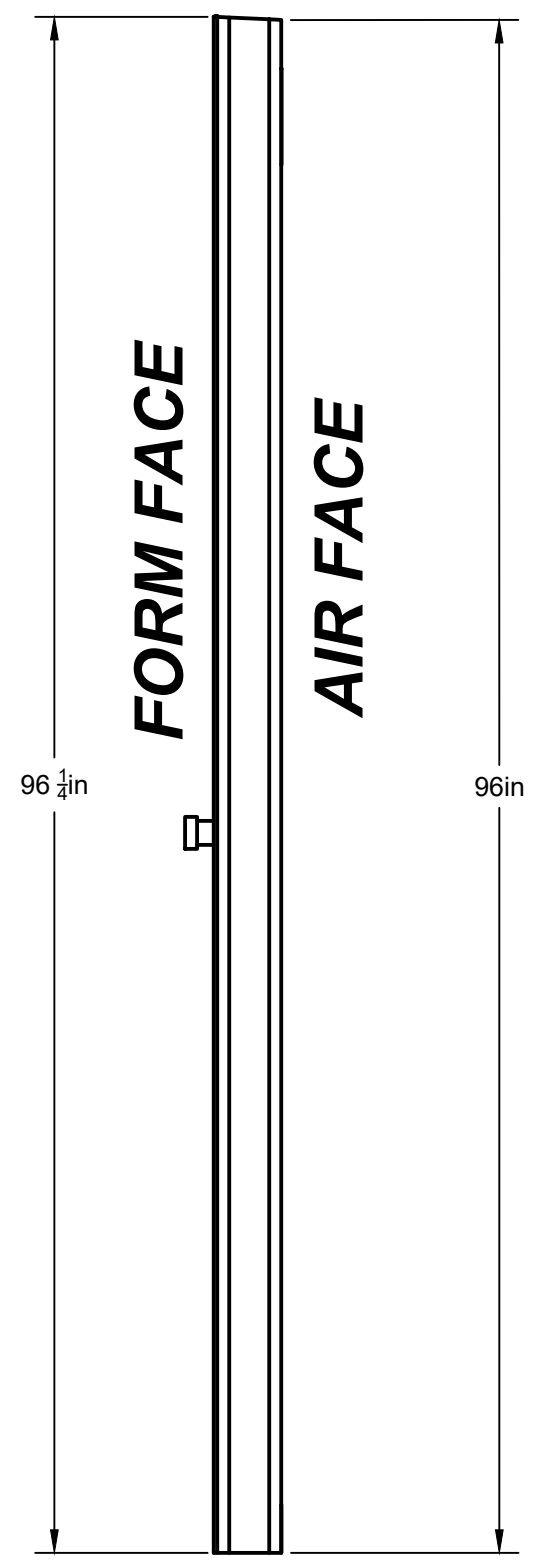
SCALE: 1:100

CY:
WEIGHT:

MIX:
SHEET: 5/10

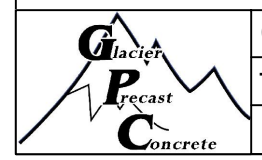


FRONT PANEL DETAILS



ADA SIGNAGE
RECESSED
DETAIL

SEE BRET FOR
DETAILS



COMPANY: GLACIER PRECAST CONCRETE, INC.
TITLE: FRONT PANEL DETAILS
DRAWN BY: BP

CUSTOMER:
PROJECT NAME:
DATE:

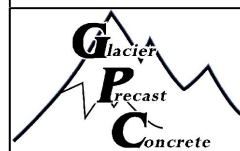
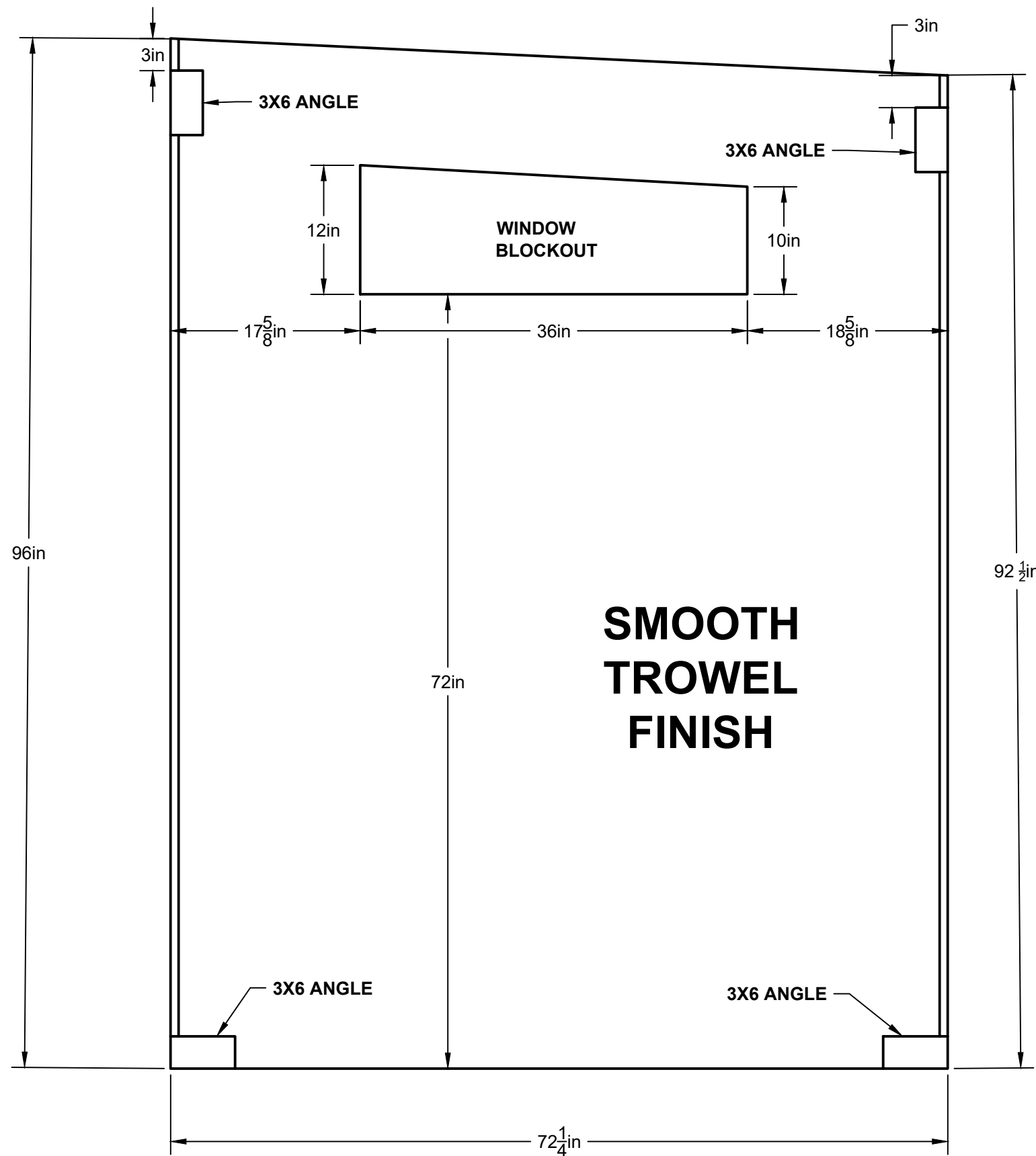
SCALE: 1:50

CY:
WEIGHT:

MIX:
SHEET: 6/10



LEFT HAND PANEL DETAILS



COMPANY: GLACIER PRECAST CONCRETE, INC.
 TITLE: LEFT HAND PANEL DETAILS
 DRAWN BY: BP

CUSTOMER:
 PROJECT NAME:
 DATE:

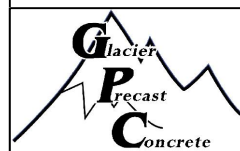
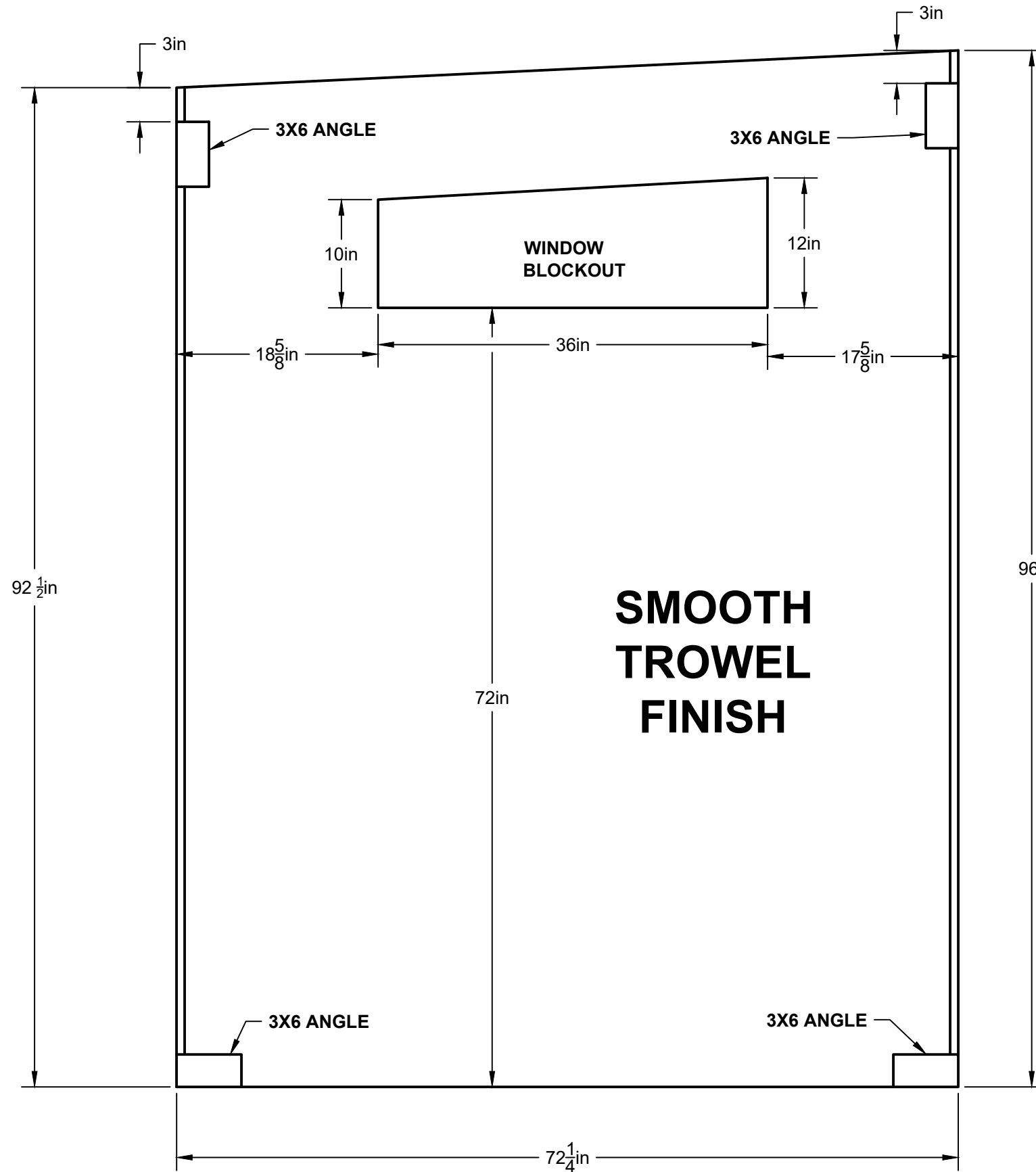
SCALE: 1:50

CY:
 WEIGHT:

MIX:
 SHEET: 7/10



RIGHT HAND PANEL DETAILS



COMPANY: GLACIER PRECAST CONCRETE, INC.
 TITLE: RIGHT HAND PANEL DETAILS
 DRAWN BY: BP

CUSTOMER:
 PROJECT NAME:
 DATE:

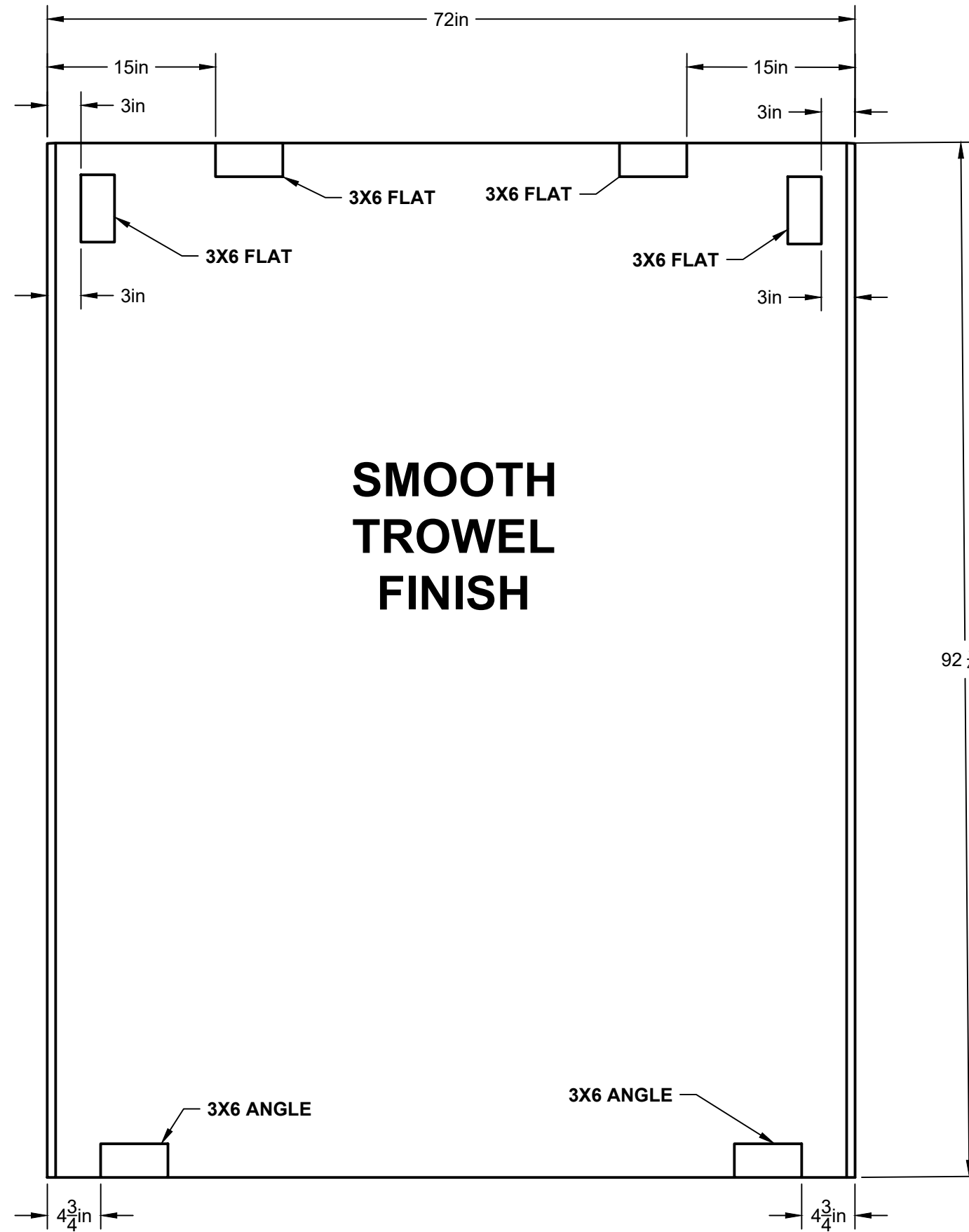
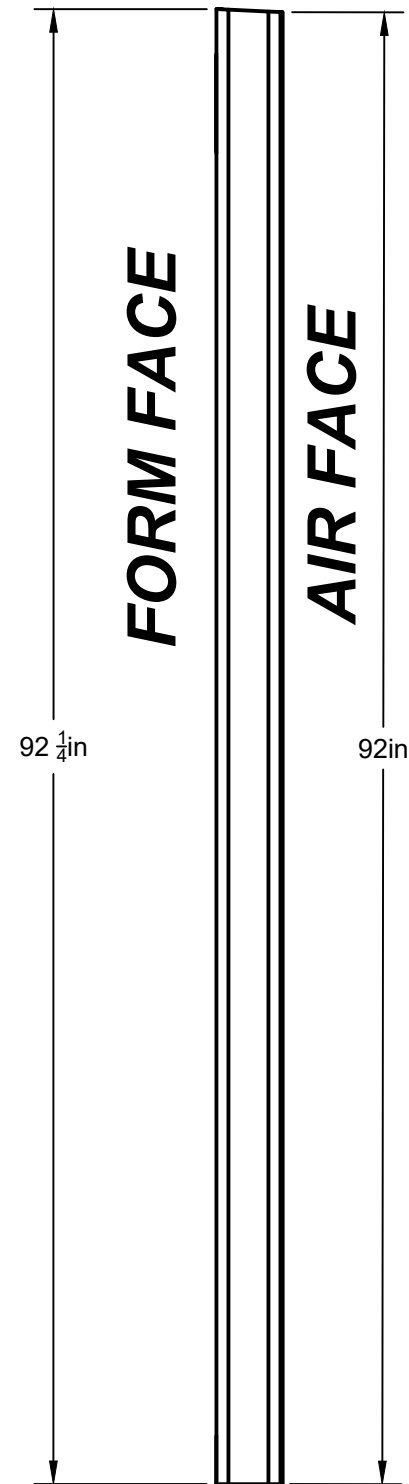
SCALE: 1:50

CY:
 WEIGHT:

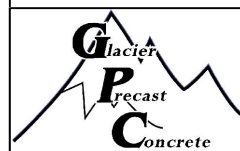
MIX:
 SHEET: 8/10



BACK PANEL DETAILS



**SMOOTH
TROWEL
FINISH**



COMPANY: GLACIER PRECAST CONCRETE, INC.
 TITLE: BACK PANEL DETAILS
 DRAWN BY: BP

CUSTOMER:
 PROJECT NAME:
 DATE:

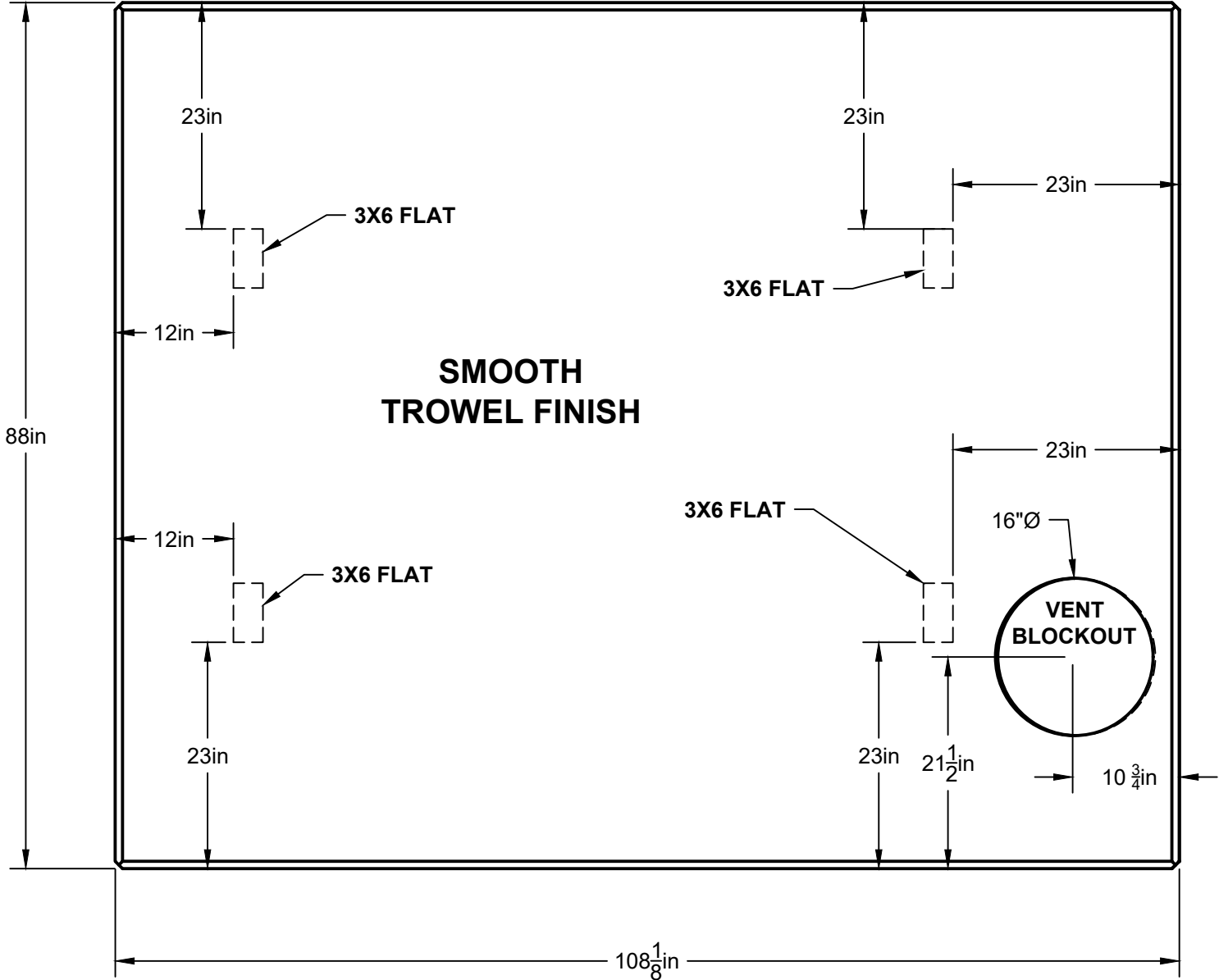
SCALE: 1:50

CY:
 WEIGHT:

MIX:
 SHEET: 9/10



ROOF SLAB DETAILS



	COMPANY: GLACIER PRECAST CONCRETE, INC.	CUSTOMER:		
	TITLE: ROOF SLAB DETAILS	PROJECT NAME:	CY:	MIX:
	DRAWN BY: BP	DATE:	SCALE: 1:50	WEIGHT:

